

# PRECISION PRESSURE REGULATORS

## PRG101 Series

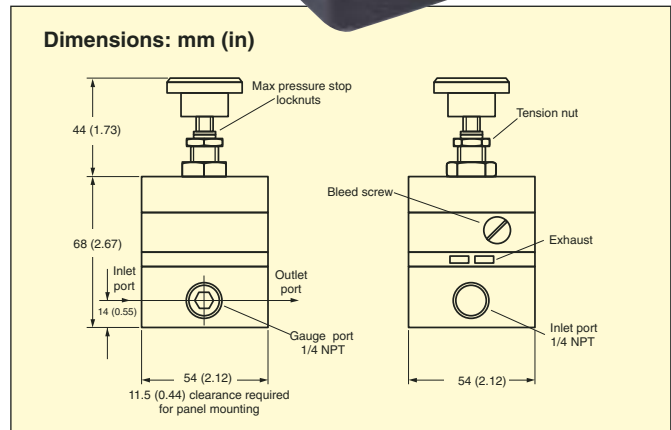
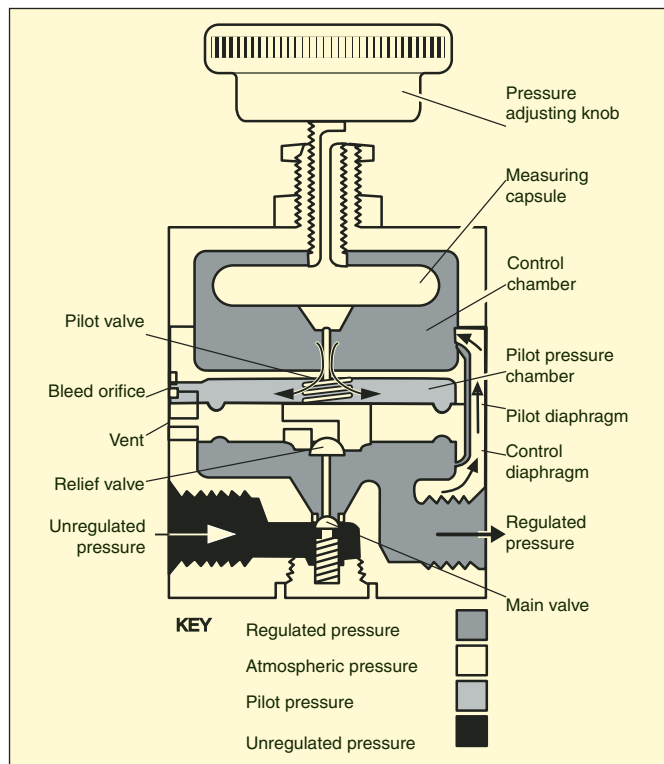
All Models  
**\$135**



- ✓ Two 1/4 NPT Gauge Ports Standard
- ✓ High-Accuracy Regulation
- ✓ High-Relief Capability
- ✓ Unaffected by Vibration
- ✓ Unaffected by Mounting Position
- ✓ Setpoint Locknut Provided



PRG101, pressure regulator, \$135, shown smaller than actual size.



### OPERATION

The PRG101 and PRG501 regulators employ piston control to achieve their high-gain pneumatic 2-stage servo system. To increase the regulated pressure, the hand wheel is turned clockwise, forcing the measuring capsule/piston assembly downward. This pushes the pilot diaphragm and control diaphragm downward. As a result, the main valve opens and the supply pressure enters the regulator. The resulting pressure change causes the measuring capsule to compress. This compression causes the pilot diaphragm and control diaphragm to move upward, which then shuts the main valve. To decrease the regulated pressure, the hand wheel is turned counterclockwise, forcing the measuring capsule/piston assembly upward. This allows the pilot diaphragm and control diaphragm to move upward. As a result, the relief valve opens and air is exhausted through the vent. The resulting pressure drop causes the measuring capsule to expand. This expansion causes the pilot diaphragm and control diaphragm to move down, which then shuts the relief valve.

The PRG101 and PRG501 Series pressure regulators have an advanced design consisting of a precision measurement capsule and a high-gain servo amplifier to achieve high performance. The regulator can be used in a "dead end" application and will exhaust whenever the setpoint is lowered. Changes in supply pressure have a minimal effect on regulation accuracy. The regulator can be panel or pipe mounted. The PRG101 has 2 gauge ports available for mounting OMEGA pressure gauges for local indication. The PRG501 is ideal for dial gauge readings when the unit is panel mounted. The dial gauge is outside the panel.

# PRG101 SERIES HAND WHEEL ADJUSTMENT PRG501 SERIES 4" DIAMETER DIAL GAUGE WITH HAND-WHEEL ADJUSTMENT

## PRG501 Series

All Models  
**\$425**



Maintaining a state of equilibrium, the action of the measuring capsule described on the preceding page ensures precise, constant pressure regulation. Air is bled at a constant rate through the bleed orifice so that a very small movement of the pilot valve induces a substantial pilot pressure change, which creates a high servo amplification.

### SPECIFICATIONS

**Maximum Supply (Input) Pressure:**  
150 psi (1000 kPa)

**Minimum Supply (Input) Pressure:**  
3 psi above desired output pressure

**Minimum Regulated Pressure:** 2 psi

**Media:** Dry gases only (oil free), filtered to better than 25 microns

**Flow Capacity:** 10 SCFM max

**Consumption @ Midrange:**

0.01 SCFM (PRG101-25, PRG501-15, PRG501-30)

0.02 SCFM (PRG101-60, PRG501-60)

0.04 SCFM (PRG101-120, PRG501-120)

PRG501, dial gauge, \$425, shown smaller than actual size.



### Regulation Accuracy (15 psi Supply Pressure Change at Midrange):

0.1% (PRG101-25, PRG501-15, PRG501-30)

0.05% (PRG101-60, PRG501-60)

0.02% (PRG101-120, PRG501-120)

**Sensitivity:** 0.005 psi

**Hysteresis and Repeatability:**  
0.05% of setting

**Operating Temperature:** -20 to 70°C (0 to 160°F)

**PRG501 Dial Gauge:** Dual scale, psi and bar

**Response Time to 50% Load Change:** 0.2 seconds

**Housing Material:** IP65 sealed, zinc diecasting, epoxy painted

**Diaphragm Material:** Nitrile-reinforced elastomers

**Capsule Material:** Beryllium-copper

**Mounting:** Any attitude; integral mounting nut supplied

**Pressure Gauge (PRG501):** Phosphor bronze Bourdon tube

**Process Connection:** ¼ FNPT (pneumatic only)

**Number of Turns in Control Range:**  
2½ hand-wheel turns

**Weight:**

PRG101: 0.75 kg (1.60 lb)

PRG501: 1.15 kg (2.50 lb)

**MOST POPULAR MODELS HIGHLIGHTED!**

### To Order (Specify Model Number)

MODEL NO.	PRICE	ADJUSTABLE REGULATION RANGE	MAX INPUT PRESSURE
<b>Hand-Wheel Adjustment Models</b>			
PRG101-25	\$135	2 to 25 psig	150 psig
PRG101-60	135	2 to 60 psig	150 psig
PRG101-120	135	2 to 120 psig	150 psig
<b>Hand-Wheel Adjustment Models with 4" Dia. Dial Gauge (Dual Scale psi and bar)</b>			
PRG501-X15	\$425	3 to 15 psig	150 psig
PRG501-30	425	2 to 30 psig	150 psig
PRG501-60	425	2 to 60 psig	150 psig
PRG501-120	425	2 to 120 psig	150 psig

### OPTIONS

MODEL NO.	PRICE	DESCRIPTION
PRG101-BKT	\$20	Mounting bracket for PRG101 (included with PRG501)

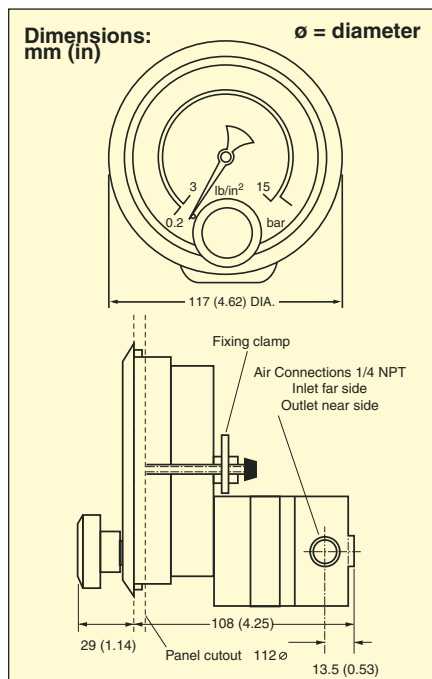
### ACCESSORY

MODEL NO.	PRICE	DESCRIPTION
EE-2557	\$89	Reference Book: The Engineering Designs of Systems

Comes complete with operator's manual.

**Ordering Examples:** PRG501-X15, pressure regulator with 4" dial gauge, dual scale psi and bar, 3 to 15 psig adjustable regulation range, 150 psi max input pressure, \$425.

PRG501-30, pressure regulator with 4" dial gauge, dual scale psi and bar, 2 to 30 psig adjustable regulation range, 150 psi max input pressure, \$425.





#### UNITED STATES

[www.omega.com](http://www.omega.com)  
1-800-TC-OMEGA  
Stamford, CT.

#### CANADA

[www.omega.ca](http://www.omega.ca)  
Laval(Quebec)  
1-800-TC-OMEGA

#### GERMANY

[www.omega.de](http://www.omega.de)  
Deckenpfronn, Germany  
0800-8266342

#### UNITED KINGDOM

[www.omega.co.uk](http://www.omega.co.uk)  
Manchester, England  
0800-488-488

#### FRANCE

[www.omega.fr](http://www.omega.fr)  
Guyancourt, France  
088-466-342

#### CZECH REPUBLIC

[www.omegaeng.cz](http://www.omegaeng.cz)  
Karviná, Czech Republic  
596-311-899

#### BENELUX

[www.omega.nl](http://www.omega.nl)  
Amstelveen, NL  
0800-099-33-44



## More than 100,000 Products Available!

### • Temperature

Calibrators, Connectors, General Test and Measurement Instruments, Glass Bulb Thermometers, Handheld Instruments for Temperature Measurement, Ice Point References, Indicating Labels, Crayons, Cements and Lacquers, Infrared Temperature Measurement Instruments, Recorders Relative Humidity Measurement Instruments, RTD Probes, Elements and Assemblies, Temperature & Process Meters, Timers and Counters, Temperature and Process Controllers and Power Switching Devices, Thermistor Elements, Probes and Assemblies, Thermocouples Thermowells and Head and Well Assemblies, Transmitters, Wire

### • Flow and Level

Air Velocity Indicators, Doppler Flowmeters, Level Measurement, Magnetic Flowmeters, Mass Flowmeters, Pitot Tubes, Pumps, Rotameters, Turbine and Paddle Wheel Flowmeters, Ultrasonic Flowmeters, Valves, Variable Area Flowmeters, Vortex Shedding Flowmeters

### • pH and Conductivity

Conductivity Instrumentation, Dissolved Oxygen Instrumentation, Environmental Instrumentation, pH Electrodes and Instruments, Water and Soil Analysis Instrumentation

### • Data Acquisition

Auto-Dialers and Alarm Monitoring Systems, Communication Products and Converters, Data Acquisition and Analysis Software, Data Loggers Plug-in Cards, Signal Conditioners, USB, RS232, RS485 and Parallel Port Data Acquisition Systems, Wireless Transmitters and Receivers

### • Pressure, Strain and Force

Displacement Transducers, Dynamic Measurement Force Sensors, Instrumentation for Pressure and Strain Measurements, Load Cells, Pressure Gauges, Pressure Reference Section, Pressure Switches, Pressure Transducers, Proximity Transducers, Regulators, Strain Gages, Torque Transducers, Valves

### • Heaters

Band Heaters, Cartridge Heaters, Circulation Heaters, Comfort Heaters, Controllers, Meters and Switching Devices, Flexible Heaters, General Test and Measurement Instruments, Heater Hook-up Wire, Heating Cable Systems, Immersion Heaters, Process Air and Duct, Heaters, Radiant Heaters, Strip Heaters, Tubular Heaters