

COMPACT, VIBRATION-RESISTANT SWITCHES FOR DIVISION 1 HAZARDOUS LOCATIONS

PSW12 Series 8 to 6000 psi



Starts at
\$236

- ✓ Compact Stainless Steel Construction
- ✓ Belleville Technology for Long Life, Vibration Resistance, and Stability
- ✓ Easy Field Setting and Adjustment
- ✓ SPDT Sealed Switches
- ✓ Strain Relief
- ✓ 1.8 m (72") Lead Wires
- ✓ Mounting Bracket for Retrofit Applications

OMEGA'S PSW12 offers reliability, repeatability, and durability in a compact design. This switch is rack mountable and has an accessible adjustment when installed. Snap-action Belleville spring design contributes to a long, stable life and to vibration resistance. An optional mounting bracket provides easy retrofit, and an optional cover lock adds security. Ranges are from 8 to 6000 psi (0.6 to 414 bar).

SPECIFICATIONS

Approval: UL listed, cUL certified; Class I, Div 1 and 2, Groups A, B, C, and D; Class II, Div 1 and 2, Groups E, F, and G

Storage Temperature: -50 to 95°C (-58 to 203°F)

Process Temperature:

Stainless Steel Diaphragm: -17 to 160°C (0 to 320°F)

Polyimide Diaphragm: -28 to 93°C (-20 to 200°F)

Ambient Temperature: -50 to 95°C (-58 to 203°F); setpoint typically shifts less than 1% of range for a 28°C (50°F) ambient temperature change.

Shock: Setpoint repeats after 75 g, 10 ms duration

Vibration: Setpoint repeats after 15 g, 10 to 2000 Hz

Setpoint Repeatability: ±1% of adjustable range

Switch Output: 1 or 2 SPDT, factory-sealed lead wires; mechanical contact life: 10 million cycles

Electrical Ratings: 5 A @ 250 Vac, 5 A resistive and 3 A inductive @ 28 Vdc; silver contacts

Enclosure: 300 SS; NEMA 4X, 7, 9 and IP66

Weight: Approximately 0.34 kg (12 oz)

Electrical Connection: ½ MNPT with 1.8 m (72") lead wires

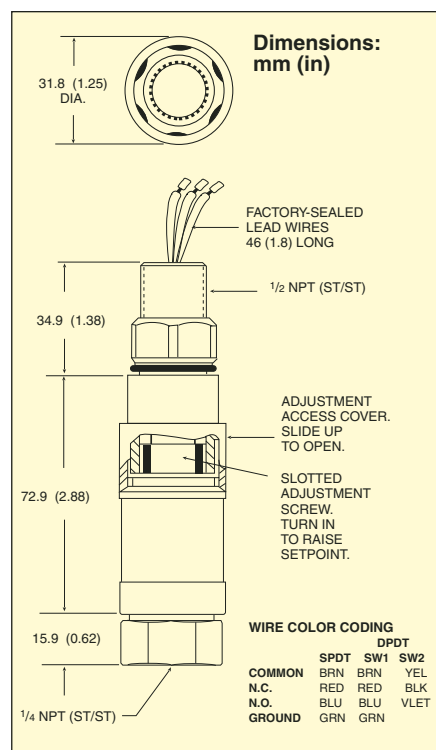
Pressure Connection: ¼ FNPT

RUGGED DESIGN

PSW12T-BS, \$236, shown smaller than actual size.

Setpoint adjustment with cover open (up)

Belleville assembly (inside)



COMPACT SWITCHES

PSW12T-CS, \$236,
shown smaller than
actual size.



See switch
accessories on page
H-47 for audible alarms
and relay modules.

MOST POPULAR MODELS HIGHLIGHTED!

To Order (Specify Model Number)

MODEL NO.	PRICE	ADJUSTABLE RANGE				DEADBAND				MAX WORKING PRESSURE		PROOF PRESSURE		SWITCH
		FALL/LOW		RISE/HIGH		LOW		HIGH		psi	bar	psi	bar	
		psi	bar	psi	bar	psi	bar	psi	bar	psi	bar	psi	bar	
¼ NPTF 316 SS PRESSURE CONNECTION, PFA-COATED POLYIMIDE (KAPTON®) DIAPHRAGM, BUNA N O-RING, ¼" ORIFICE, SINGLE 5 A SPDT SWITCH														
PSW12T-AS	\$236	8	0.6	30	2.1	2	0.1	6	0.4	600	41	1000	69	Single
PSW12T-BS	236	15	1.0	55	3.8	3	0.2	8	0.6	600	41	1000	69	Single
PSW12T-CS	236	30	2.1	170	11.7	5	0.3	15	1.0	600	41	1000	69	Single
PSW12T-DS	236	100	6.9	370	25.5	15	1.0	50	3.4	600	41	1000	69	Single
PSW12T-ES	236	200	13.8	700	48.3	40	2.8	90	6.2	1500	103	3000	206	Single
PSW12T-FS	236	400	27.6	1500	103.0	100	6.9	250	17.2	3000	206	4500	309	Single
PSW12T-GS	236	1000	68.9	3200	220.6	100	6.9	500	34.5	6000	414	10,000	689	Single
PSW12T-HS	236	2000	137.9	6000	414.0	400	27.6	800	55.2	8000	551	10,000	689	Single
¼ NPTF 316 SS PRESSURE CONNECTION AND DIAPHRAGM, FKM O-RING, ¼" ORIFICE, SINGLE 5 A SPDT SWITCH														
PSW12V-AS	\$248	9	0.6	35	2.4	2	0.1	7	0.5	600	41	1000	69	Single
PSW12V-BS	248	25	1.7	65	4.5	3	0.2	10	0.7	600	41	1000	69	Single
PSW12V-CS	248	50	3.5	150	10.3	5	0.3	15	1.0	600	41	1000	69	Single
PSW12V-DS	248	100	6.9	350	24.1	15	1.0	50	3.4	600	41	1000	69	Single
PSW12V-ES	248	250	17.2	700	48.3	40	2.8	95	6.6	1500	103	3000	206	Single
PSW12V-FS	248	400	27.6	1500	103.0	100	6.9	300	20.7	3000	206	4500	309	Single
PSW12V-GS	248	1000	68.9	3200	220.6	100	6.9	500	34.5	6000	414	10,000	689	Single
PSW12V-HS	248	2000	137.9	6000	414.0	400	27.6	1000	69	8000	551	10,000	689	Single
¼ NPTF 316 SS PRESSURE CONNECTION, PFA-COATED POLYIMIDE (KAPTON®) DIAPHRAGM, BUNA-N O-RING, ¼" ORIFICE, DUAL 5 A SPDT SWITCH														
PSW12T-AD	\$266	8	0.6	30	2.1	2	0.1	6	0.4	600	41	1000	69	Dual
PSW12T-BD	266	15	1.0	55	3.8	3	0.2	8	0.6	600	41	1000	69	Dual
PSW12T-CD	266	30	2.1	170	11.7	5	0.3	15	1.0	600	41	1000	69	Dual
PSW12T-DD	266	100	6.9	370	25.5	15	1.0	50	3.4	600	41	1000	69	Dual
PSW12T-ED	266	200	13.8	700	48.3	40	2.8	90	6.2	1500	103	3000	206	Dual
PSW12T-FD	266	400	27.6	1500	103.0	100	6.9	250	17.2	3000	206	4500	309	Dual
PSW12T-GD	266	1000	68.9	3200	220.6	100	6.9	500	34.5	6000	414	10,000	689	Dual
PSW12T-HD	266	2000	137.9	6000	414.0	400	27.6	800	55.2	8000	551	10,000	689	Dual
¼ NPTF 316 SS PRESSURE CONNECTION AND DIAPHRAGM, FKM O-RING, ¼" ORIFICE, DUAL 5 A SPDT SWITCH														
PSW12V-AD	\$278	9	0.6	35	2.4	2	0.1	7	0.5	600	41	1000	69	Dual
PSW12V-BD	278	25	1.7	65	4.5	3	0.2	10	0.7	600	41	1000	69	Dual
PSW12V-CD	278	50	3.5	150	10.3	5	0.3	15	1.0	600	41	1000	69	Dual
PSW12V-DD	278	100	6.9	350	24.1	15	1.0	50	3.4	600	41	1000	69	Dual
PSW12V-ED	278	250	17.2	700	48.3	40	2.8	95	6.6	1500	103	3000	206	Dual
PSW12V-FD	278	400	27.6	1500	103.0	100	6.9	300	20.7	3000	206	4500	309	Dual
PSW12V-GD	278	1000	68.9	3200	220.6	100	6.9	500	34.5	6000	414	10,000	689	Dual
PSW12V-HD	278	2000	137.9	6000	414.0	400	27.6	1000	69	8000	551	10,000	689	Dual

Comes with complete operator's manual.

Note: External grounding screw must be specified with order. Add "-GND" to specified model number, \$20.

Ordering Examples: PSW12T-DS-GND, single 5 A SPDT switch with PFA-coated diaphragm and external grounding screw, \$236 + 20 = \$256. PSW12V-ED, dual 5 A SPDT switch with 316 SS diaphragm and FKM O-ring, \$278.

ACCESSORIES

MODEL NO.	PRICE	DESCRIPTION
PSW12-CL	\$20	Cover lock
PSW12-MB	27	Mounting bracket
ME-1755	150	Reference Book: Practical Guide to Pressure Vessel Manufacturing



omega.co.uk[®]

Your One-Stop Source for Process Measurement and Control!

Freephone 0800 488 488 | International +44(0) 161 777 6622 | Fax +44(0) 161 777 6622 | Sales@omega.co.uk

www.omega.co.uk



UNITED STATES

www.omega.com

1-800-TC-OMEGA
Stamford, CT.

CANADA

www.omega.ca

Laval(Quebec)
1-800-TC-OMEGA

GERMANY

www.omega.de

Deckenfronn, Germany
0800-8266342

UNITED KINGDOM

www.omega.co.uk

Manchester, England
0800-488-488
+44-(0)161-777-6611

FRANCE

www.omega.fr

0800-466-342

BENELUX

www.omega.nl

0800-099-33-44



More than 100,000 Products Available!

• Temperature

Calibrators, Connectors, General Test and Measurement Instruments, Handheld Instruments for Temperature Measurement, Ice Point References, Indicating Labels, Crayons, Cements and Lacquers, Infrared Temperature Measurement Instruments, Recorders, Relative Humidity Measurement Instruments, PT100 Probes, PT100 Elements, Temperature & Process Meters, Timers and Counters, Temperature and Process Controllers and Power Switching Devices, Thermistor Elements, Probes and Assemblies, Thermocouples, Thermowells and Head and Well Assemblies, Transmitters, Thermocouple Wire, RTD Probes

• Flow and Level

Air Velocity Indicators, Doppler Flowmeters, Level Measurement, Magnetic Flowmeters, Mass Flowmeters, Pitot Tubes, Pumps, Rotameters, Turbine and Paddle Wheel Flowmeters, Ultrasonic Flowmeters, Valves, Variable Area Flowmeters, Vortex Shedding Flowmeters

• pH and Conductivity

Conductivity Instrumentation, Dissolved Oxygen Instrumentation, Environmental Instrumentation, pH Electrodes and Instruments, Water and Soil Analysis Instrumentation

• Data Acquisition

Communication Products and Converters, Data Acquisition and Analysis Software, Data Loggers Plug-in Cards, Signal Conditioners, USB, RS232, RS485, Ethernet and Parallel Port Data Acquisition Systems, Wireless Transmitters and Receivers

• Pressure, Strain and Force

Displacement Transducers, Dynamic Measurement Force Sensors, Instrumentation for Pressure and Strain Measurements, Load Cells, Pressure Gauges, Pressure Reference Section, Pressure Switches, Pressure Transducers, Proximity Transducers, Regulators, Pressure Transmitters, Strain Gauges, Torque Transducers, Valves

• Heaters

Band Heaters, Cartridge Heaters, Circulation Heaters, Comfort Heaters, Controllers, Meters and Switching Devices, Flexible Heaters, General Test and Measurement Instruments, Heater Hook-up Wire, Heating Cable Systems, Immersion Heaters, Process Air and Duct, Heaters, Radiant Heaters, Strip Heaters, Tubular Heaters