

ECONOMICAL BRASS PRESSURE SWITCHES



PSW-190 Series Starts at £50

See switch accessories at omega.co.uk for audible alarms and relay modules.

Technical Books Available Online!



PSW-196, £54, shown larger than actual size.

The PSW-190 Series cylindrical pressure switch has an epoxy-sealed electrical termination. This rugged design enables the switch to withstand harsh environments.

SPECIFICATIONS

Switch: SPDT, 5 A at 250 Vac or 30 Vdc gold-clad silver contacts for loads down to 5 mA at 6 Vdc, 2 mA at 12 Vdc and 1 mA at 24 Vdc

Operating Ambient Range: -20 to 75°C (-4 to 167°F) with Buna-N construction; -20 to 80°C (-4 to 176°F) with Viton® or EPDM construction

Media Temp: 70°C (158°F) with Buna-N sensor; 120°C (248°F) with Viton® sensor

Wetted Parts: Brass, O-ring and diaphragm

Repeatability:
PSW-191, 192, 195 and 196: ±1%
PSW-193, 194, 197 and 198: ±1.5%

Shock: Setpoint repeats after 50 g 10 ms duration

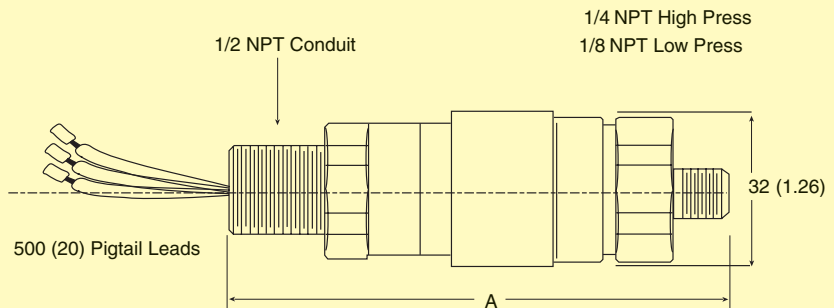
Vibration: Setpoint repeats after 10 g, 5 to 500 cps

Enclosure and Cover: Aluminum with irridite finish rated for 100 hr salt spray; potted and gasketed for outdoor use

Pressure Connection:

PSW-191, 192, 195 and 196: 1/8 NPT
PSW-193, 194, 197 and 198: 1/4 NPT
Weight: 128 g (4.5 oz)

Dimensions: mm (in)



WIRE CODE
BLUE = N.O.
BLACK = N.C.
VIOLET = COM.

DIM. A
PSW-191, 192, 195, 196 = 103 (4.06)
PSW-193, 194, 197, 198 = 111 (4.37)

To Order (Specify Model Number)

MOST POPULAR MODELS HIGHLIGHTED!

MODEL NO.	PRICE	ADJUSTABLE RANGE	TYPICAL DEADBAND	MAX SYS PRESSURE	PROOF PRESSURE
Models with Buna-N O-Ring and Diaphragm					
PSW-191	£50	10 to 150 psi	2 to 10	1500	3000
PSW-192	50	30 to 600 psi	8 to 60	2500	3000
PSW-193	50	100 to 1500 psi	20 to 220	8000	10,000
PSW-194	50	180 to 3000 psi	50 to 400	8000	10,000
Models with Viton® O-Ring and Diaphragm					
PSW-195	£54	11 to 150 psi	2.5 to 11.5	1500	3000
PSW-196	54	33 to 600 psi	9.5 to 69	2500	3000
PSW-197	54	110 to 1500 psi	23 to 253	8000	10,000
PSW-198	54	198 to 3000 psi	57.5 to 460	8000	10,000

Comes with complete operator's manual.

Ordering Example: PSW-192, cylindrical pressure switch with a Buna-N O-ring and diaphragm and an adjustable range of 30 to 600 psi, £50.

ACCESSORY

MODEL NO.	PRICE	DESCRIPTION
CM-4365	£107	Reference Book: Actuator Saturation Control



UNITED STATES

www.omega.com

1-800-TC-OMEGA

Stamford, CT.

CANADA

www.omega.ca

Laval(Quebec)

1-800-TC-OMEGA

GERMANY

www.omega.de

Deckenpfronn, Germany

0800-8266342

UNITED KINGDOM

www.omega.co.uk

Manchester, England

0800-488-488

FRANCE

www.omega.fr

088-466-342

CZECH REPUBLIC

www.omegaeng.cz

Karviná, Czech Republic

596-311-899

BENELUX

www.omega.nl

0800-099-33-44



More than 100,000 Products Available!

• Temperature

Calibrators, Connectors, General Test and Measurement Instruments, Handheld Instruments for Temperature Measurement, Ice Point References, Indicating Labels, Crayons, Cements and Lacquers, Infrared Temperature Measurement Instruments, Recorders, Relative Humidity Measurement Instruments, PT100 Probes, PT100 Elements, Temperature & Process Meters, Timers and Counters, Temperature and Process Controllers and Power Switching Devices, Thermistor Elements, Probes and Assemblies, Thermocouples, Thermowells and Head and Well Assemblies, Transmitters, Thermocouple Wire, RTD Probes

• Flow and Level

Air Velocity Indicators, Doppler Flowmeters, Level Measurement, Magnetic Flowmeters, Mass Flowmeters, Pitot Tubes, Pumps, Rotameters, Turbine and Paddle Wheel Flowmeters, Ultrasonic Flowmeters, Valves, Variable Area Flowmeters, Vortex Shedding Flowmeters

• pH and Conductivity

Conductivity Instrumentation, Dissolved Oxygen Instrumentation, Environmental Instrumentation, pH Electrodes and Instruments, Water and Soil Analysis Instrumentation

• Data Acquisition

Auto-Dialers and Alarm Monitoring Systems, Communication Products and Converters, Data Acquisition and Analysis Software, Data Loggers Plug-in Cards, Signal Conditioners, USB, RS232, RS485 and Parallel Port Data Acquisition Systems, Wireless Transmitters and Receivers

• Pressure, Strain and Force

Displacement Transducers, Dynamic Measurement Force Sensors, Instrumentation for Pressure and Strain Measurements, Load Cells, Pressure Gauges, Pressure Reference Section, Pressure Switches, Pressure Transducers, Proximity Transducers, Regulators, Pressure Transmitters, Strain Gauges, Torque Transducers, Valves

• Heaters

Band Heaters, Cartridge Heaters, Circulation Heaters, Comfort Heaters, Controllers, Meters and Switching Devices, Flexible Heaters, General Test and Measurement Instruments, Heater Hook-up Wire, Heating Cable Systems, Immersion Heaters, Process Air and Duct, Heaters, Radiant Heaters, Strip Heaters, Tubular Heaters