

# FLUSH DIAPHRAGM MILLIVOLT OUTPUT PRESSURE TRANSDUCER

## PX102 Series

0-6 to 0-5000 psi

0-0.4 to 0-1345 bar

Starts at  
**\$490**



PX102-050GV, \$505, shown larger than actual size.

## SPECIFICATIONS

**Excitation:** 5 Vdc 35 mA (6 Vdc max)

**Output:** 0 to 100 mV  $\pm 1\%$

**Input Impedance:**  $150 \pm 50 \Omega$

**Output Impedance:**  $115 \pm 25 \Omega$

**Insulation Resistance:** 20 M $\Omega$  at 50 Vdc

**Accuracy:** 100 to 5000 psi = 0.25% BFS

all other ranges = 0.5% BFS

**Zero Balance:**  $\pm 5$  mV

**Operating Temperature Range:**

-51 to 93°C (-60 to 200°F)

**Compensated Temperature Range:**

-1 to 71°C (30 to 160°F)

**Thermal Zero Effect:**  $\pm 0.1\%$  rdg/°C

( $\pm 0.05\%$  rdg/°F)

**Thermal Sensitivity Effect:**  $\pm 0.02\%/^{\circ}\text{C}$

( $\pm 0.01\%$  rdg/°F)

**Proof Pressure:** 2x full scale

**Burst Pressure:** 5x full scale minimum

**Fatigue:** >160 million cycles

**Gages:** Semiconductors on bending beam

**Body/Diaphragm Material:**

316 L SS:  $\leq 50$  psi

-15-5 PH SS: >50 psi

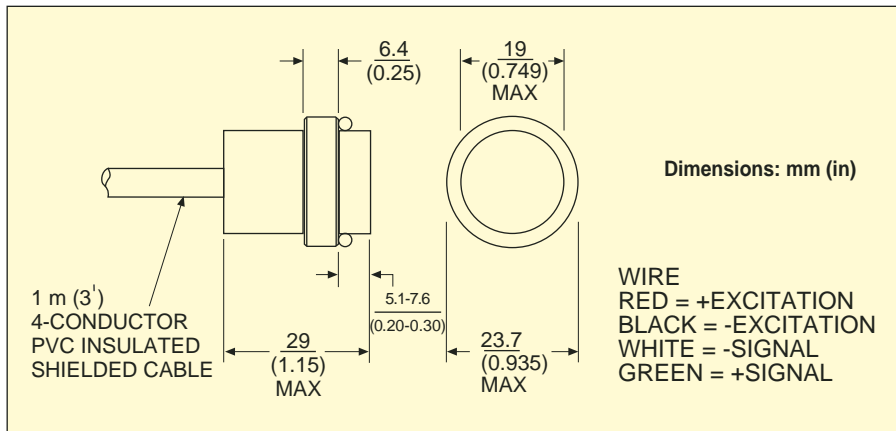
**Pressure Port:** Flush

**Electrical Connection:** 1 m (36");

shielded PVC cable, 4 leads

**Weight:** 57 g (2 oz)

Units 100 psi and above have cases sealed from the surrounding atmosphere, providing maximum reliability in humid or corrosive environment (psis). Ranges below 100 psi are vented to the atmosphere and read gage pressure (psig).



**MOST POPULAR MODELS HIGHLIGHTED!**

## To Order (Specify Model Number)

RANGE		MODEL NO.	PRICE	COMPATIBLE METERS*
0 to 6 psig	0 to 0.41 bar	<b>PX102-006GV</b>	<b>\$505</b>	DP25B-S, DP41-S
0 to 25 psig	0 to 1.72 bar	<b>PX102-025GV</b>	<b>505</b>	DP25B-S, DP41-S
0 to 50 psig	0 to 3.4 bar	<b>PX102-050GV</b>	<b>505</b>	DP25B-S, DP41-S
0 to 100 psis	0 to 6.9 bar	<b>PX102-100SV</b>	<b>490</b>	DP25B-S, DP41-S
0 to 200 psis	0 to 13.8 bar	<b>PX102-200SV</b>	<b>490</b>	DP25B-S, DP41-S
0 to 500 psis	0 to 34.5 bar	<b>PX102-500SV</b>	<b>490</b>	DP25B-S, DP41-S
0 to 1000 psis	0 to 68.9 bar	<b>PX102-1KSV</b>	<b>490</b>	DP25B-S, DP41-S
0 to 3000 psis	0 to 207 bar	<b>PX102-3KSV</b>	<b>490</b>	DP25B-S, DP41-S

Comes with complete operator's manual.

\* See section D for compatible meters.

**Ordering Examples:** PX102-006GV, 0 to 6 psig pressure transducer, \$505.

AD-1SS, adaptor to mount in a 1/4 NPT fitting, \$125.

## ACCESSORY

MODEL NO.	PRICE	DESCRIPTION
EE-2530	\$220	Reference Book: Handbook of Systems Engineering

# omega.co.uk<sup>®</sup>

Your One-Stop Source for Process Measurement and Control!

Freephone 0800 488 488 | International +44(0) 161 777 6622 | Fax +44(0) 161 777 6622 | Sales@omega.co.uk

[www.omega.co.uk](http://www.omega.co.uk)



#### UNITED STATES

[www.omega.com](http://www.omega.com)

1-800-TC-OMEGA  
Stamford, CT.

#### UNITED KINGDOM

[www.omega.co.uk](http://www.omega.co.uk)

Manchester, England  
0800-488-488  
+44-(0)161-777-6611

#### CANADA

[www.omega.ca](http://www.omega.ca)

Laval(Quebec)  
1-800-TC-OMEGA

#### FRANCE

[www.omega.fr](http://www.omega.fr)

0800-466-342

#### GERMANY

[www.omega.de](http://www.omega.de)

Deckenfronn, Germany  
0800-8266342

#### BENELUX

[www.omega.nl](http://www.omega.nl)

0800-099-33-44



## More than 100,000 Products Available!

### • Temperature

Calibrators, Connectors, General Test and Measurement Instruments, Handheld Instruments for Temperature Measurement, Ice Point References, Indicating Labels, Crayons, Cements and Lacquers, Infrared Temperature Measurement Instruments, Recorders, Relative Humidity Measurement Instruments, PT100 Probes, PT100 Elements, Temperature & Process Meters, Timers and Counters, Temperature and Process Controllers and Power Switching Devices, Thermistor Elements, Probes and Assemblies, Thermocouples, Thermowells and Head and Well Assemblies, Transmitters, Thermocouple Wire, RTD Probes

### • Flow and Level

Air Velocity Indicators, Doppler Flowmeters, Level Measurement, Magnetic Flowmeters, Mass Flowmeters, Pitot Tubes, Pumps, Rotameters, Turbine and Paddle Wheel Flowmeters, Ultrasonic Flowmeters, Valves, Variable Area Flowmeters, Vortex Shedding Flowmeters

### • pH and Conductivity

Conductivity Instrumentation, Dissolved Oxygen Instrumentation, Environmental Instrumentation, pH Electrodes and Instruments, Water and Soil Analysis Instrumentation

### • Data Acquisition

Communication Products and Converters, Data Acquisition and Analysis Software, Data Loggers Plug-in Cards, Signal Conditioners, USB, RS232, RS485, Ethernet and Parallel Port Data Acquisition Systems, Wireless Transmitters and Receivers

### • Pressure, Strain and Force

Displacement Transducers, Dynamic Measurement Force Sensors, Instrumentation for Pressure and Strain Measurements, Load Cells, Pressure Gauges, Pressure Reference Section, Pressure Switches, Pressure Transducers, Proximity Transducers, Regulators, Pressure Transmitters, Strain Gauges, Torque Transducers, Valves

### • Heaters

Band Heaters, Cartridge Heaters, Circulation Heaters, Comfort Heaters, Controllers, Meters and Switching Devices, Flexible Heaters, General Test and Measurement Instruments, Heater Hook-up Wire, Heating Cable Systems, Immersion Heaters, Process Air and Duct, Heaters, Radiant Heaters, Strip Heaters, Tubular Heaters