

# INDUSTRIAL TRANSMITTER

## LONG-TERM RELIABILITY

### SMART OR ANALOG OUTPUT

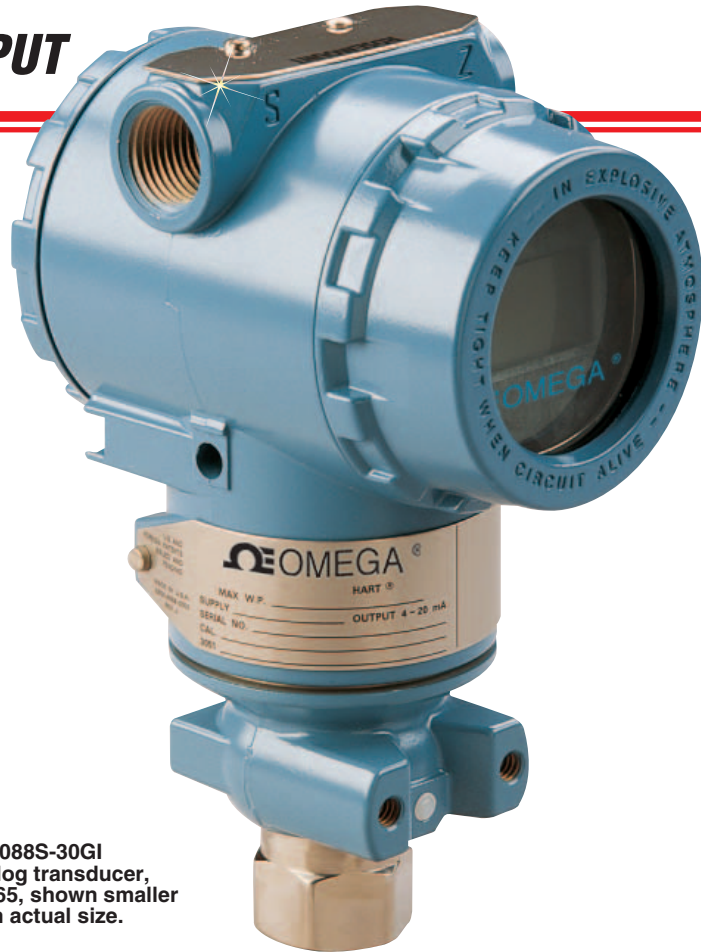
**PX2088S Series**  
**4 to 20 mA Output/SMART**  
**0-1 to 0-4000 psi**  
**0-0.07 to 0-275 bar**

All Ranges  
**\$1165**



- ✓ HART®-Protocol Ready
- ✓ 20:1 Turndown
- ✓ External Zero and Span
- ✓ 0.20% Accuracy
- ✓ Security Jumpers
- ✓ Polysilicon Sensor Ensures High Stability and Reliability
- ✓ Dual-Compartment Housing (Watertight Electronics Compartment)
- ✓ Individually Characterized and Digitally Compensated
- ✓ RFI Protection Selected Options
- ✓ Stainless Steel or Hastelloy® Wetted Parts
- ✓ Silicon or Inert Oil Fill
- ✓ LCD Meter Option
- ✓ Integral Manifolds, Preassembled and Leak Tested

Recommended Reference Book:  
 Handbook of Water and Wastewater  
 Treatment Technologies,  
**ES-2207, \$99**  
 See Section Y  
 For Additional Books



PX2088S-30GI  
 analog transducer,  
 \$1165, shown smaller  
 than actual size.

OMEGA's PX2088S Series smart pressure transmitters maintain a specification conformance of at least  $3\sigma$ . The reliable performance of these rugged transmitters, when coupled with the broad selection of options, makes these transducers an exceptional value for tough process applications. The PX2088S is designed to operate safely in the event of damage or failure to the sensor diaphragm. The electronics compartment is isolated from the process by 2 seals.

A third seal isolates the field terminals and conduit entries. This design ensures against housing pressurization and process contamination.

The electronics incorporates an ASIC module that accepts the digital signal from the sensor, along with the correction coefficients, then corrects and linearizes the signal. This is then converted to an analog signal for retransmission. The output section also handles the HART® communications.

#### ALL MODELS AVAILABLE FOR FAST DELIVERY!

#### To Order (Specify Model Number)

MODEL NO.	PRICE	MIN SPAN	MAX SPAN	COMPATIBLE METERS*
<b>SMART 4 to 20 mA Output</b>				
PX2088S-30GI	\$1165	0 to 1.5 psi	0 to 30 psi	DP41-E, DP25B-E, DP24-E
PX2088S-150GI	1165	0 to 7.5	0 to 150	DP41-E, DP25B-E, DP24-E
PX2088S-600GI	1165	0 to 30	0 to 600	DP41-E, DP25B-E, DP24-E
PX2088S-4KGI	1165	0 to 200	0 to 4000	DP41-E, DP25B-E, DP24-E

Comes with complete operator's manual.

\* See section D for compatible meters.

See Specifications for fitting material and fill fluid options.

See page B-240b for HART® protocol programming module for smart transducers.

To order absolute pressure ranges, change the "G" in the model number to an "A", and add \$205 to price. To order LCD meter scaled 0 to 100%, add suffix "-M5", and add \$450 to price.

**Ordering Example: PX2088S-150AI**, smart transducer, 150 psi absolute pressure range, with 4 to 20 mA output, \$1165 + 205 = **\$1370**.

# SMART OR ANALOG INDUSTRIAL TRANSMITTER

## SMART FUNCTIONALITY

The PX2088S smart transducer HART® protocol allows easy access to configuration, test, and setup capabilities.

The PX2088S can be configured using a HART® communicator or another HART®-based communications device. Configuration consists of two steps. First, the transmitter operational parameters are set including:

- Zero and span
- Damping
- Engineering units.

Second, data can be entered into the transmitter to allow identification and physical description of the transmitter. These data include:

- Tag: 8 alphanumeric
- Descriptor: 16 characters
- Message: 32 characters
- Date
- Integral meter installation
- Remote seal information

In addition to the configurable parameters, the PX2088 software contains information that is not user-changeable. Non-configurable information includes:

- Transmitter type
- Sensor limits
- Minimum span

- Fill fluid
- Isolator material
- Module serial number
- Transmitter software revision level

## SPECIFICATIONS

**Excitation:** 10.5 to 36 Vdc unregulated, reverse polarity protected

**Supply Effect:** <0.01% span/V

### Zero Elevation and Suppression:

Zero can be suppressed between atmosphere (or 0 psia for absolute ranges) and the upper range limit (URL), provided the span is  $\geq$  the minimum span and the URL does not exceed the unit's URL. No vacuum calibrations are allowed on the gage pressure models.

### Overpressure Limits:

**8 and 30 psi Ranges:** 120 psi  
**>30 psi Ranges:** 2x URL

### Process Temperature Limits:

**Silicon Fill:** -40 to 121°C (-40 to 250°F)  
**Inert Fill:** -30 to 121°C (-20 to 250°F)

### Ambient Temperature Limits:

**Standard:** -40 to 85°C (-40 to 185°F)  
**LCD Meter:** -20 to 80°C (-4 to 175°F)

### Volumetric Displacement:

<0.00042 cm<sup>3</sup>

### Accuracy:

Includes linearity, hysteresis and repeatability  
**Smart:**  $\pm 0.20\%$  of calibrated span  
**Analog:**  $\pm 0.25\%$  of calibrated span

### Ambient Temperature Effect:

#### Smart:

$\pm(0.003\% \text{ URL} + 0.003\% \text{ span})/^{\circ}\text{F}$

**Analog (Ranges >8 psi):** -40 to 0°F  $\pm(0.007\% \text{ URL} + 0.008\% \text{ span})/^{\circ}\text{F}$ ; -0 to 140°F  $\pm(0.005\% \text{ URL} + 0.005\% \text{ span})/^{\circ}\text{F}$ ; 140 to 185°F  $\pm(0.007\% \text{ URL} + 0.008\% \text{ span})/^{\circ}\text{F}$

### Stability:

**Smart:**  $\pm 0.10\%$  URL for 12 months

**Analog:**  $\pm 0.25\%$  URL for 12 months

### Vibration:

$< \pm 1\%$  URL 4 mm pk/pk 5 to 15 Hz and constant acceleration of 2 g (15 to 150 Hz) and 1 g (150 to 2000 Hz)

### Process Connection:

$\frac{1}{2}$  to 14 FNPT

### Wetted Parts:

316 SS (Hastelloy® optional)

### Electronic Housing:

Sealed to NEMA 4X (IP66), low-copper aluminum with polyurethane paint; cover O-ring is Buna-N

### Electrical Connections:

$\frac{1}{2}$  to 14 NPT conduit

**Fill Fluid:** Silicon oil, standard; inert oil, optional

### Weight:

**Smart:** 1.11 kg (2.44 lb)

**Analog:** 0.86 kg (1.9 lb)

### Fitting Material/Fill Options:

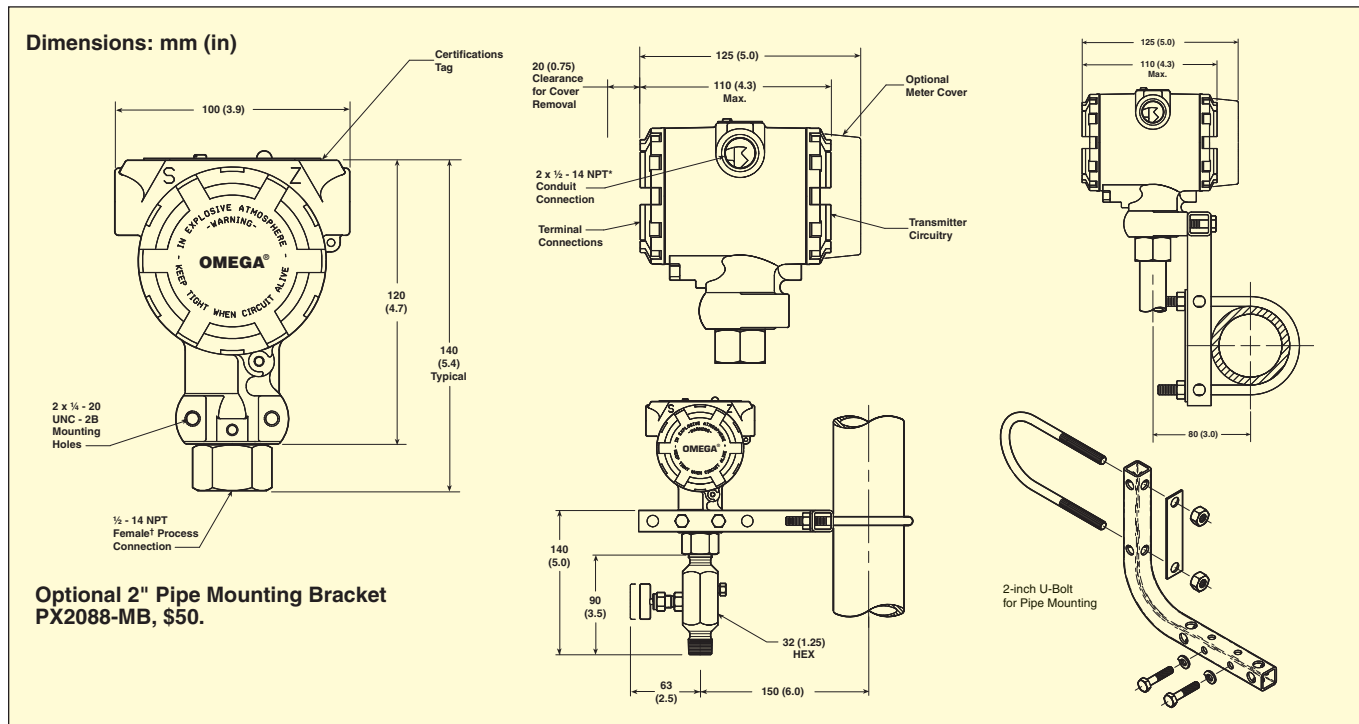
(add suffix)

**SS/Silicon Oil:** Standard

**SS/Inert Oil\*:** "-2B" add \$90

**Hastelloy/Silicon Oil:**

"-33" add \$250



# omega.co.uk<sup>®</sup>

Your One-Stop Source for Process Measurement and Control!

Freephone 0800 488 488 | International +44(0) 161 777 6622 | Fax +44(0) 161 777 6622 | Sales@omega.co.uk

[www.omega.co.uk](http://www.omega.co.uk)



#### UNITED STATES

[www.omega.com](http://www.omega.com)

1-800-TC-OMEGA  
Stamford, CT.

#### CANADA

[www.omega.ca](http://www.omega.ca)

Laval(Quebec)  
1-800-TC-OMEGA

#### GERMANY

[www.omega.de](http://www.omega.de)

Deckenfronn, Germany  
0800-8266342

#### UNITED KINGDOM

[www.omega.co.uk](http://www.omega.co.uk)

Manchester, England  
0800-488-488  
+44-(0)161-777-6611

#### FRANCE

[www.omega.fr](http://www.omega.fr)

0800-466-342

#### BENELUX

[www.omega.nl](http://www.omega.nl)

0800-099-33-44



## More than 100,000 Products Available!

### • Temperature

Calibrators, Connectors, General Test and Measurement Instruments, Handheld Instruments for Temperature Measurement, Ice Point References, Indicating Labels, Crayons, Cements and Lacquers, Infrared Temperature Measurement Instruments, Recorders, Relative Humidity Measurement Instruments, PT100 Probes, PT100 Elements, Temperature & Process Meters, Timers and Counters, Temperature and Process Controllers and Power Switching Devices, Thermistor Elements, Probes and Assemblies, Thermocouples, Thermowells and Head and Well Assemblies, Transmitters, Thermocouple Wire, RTD Probes

### • Flow and Level

Air Velocity Indicators, Doppler Flowmeters, Level Measurement, Magnetic Flowmeters, Mass Flowmeters, Pitot Tubes, Pumps, Rotameters, Turbine and Paddle Wheel Flowmeters, Ultrasonic Flowmeters, Valves, Variable Area Flowmeters, Vortex Shedding Flowmeters

### • pH and Conductivity

Conductivity Instrumentation, Dissolved Oxygen Instrumentation, Environmental Instrumentation, pH Electrodes and Instruments, Water and Soil Analysis Instrumentation

### • Data Acquisition

Communication Products and Converters, Data Acquisition and Analysis Software, Data Loggers Plug-in Cards, Signal Conditioners, USB, RS232, RS485, Ethernet and Parallel Port Data Acquisition Systems, Wireless Transmitters and Receivers

### • Pressure, Strain and Force

Displacement Transducers, Dynamic Measurement Force Sensors, Instrumentation for Pressure and Strain Measurements, Load Cells, Pressure Gauges, Pressure Reference Section, Pressure Switches, Pressure Transducers, Proximity Transducers, Regulators, Pressure Transmitters, Strain Gauges, Torque Transducers, Valves

### • Heaters

Band Heaters, Cartridge Heaters, Circulation Heaters, Comfort Heaters, Controllers, Meters and Switching Devices, Flexible Heaters, General Test and Measurement Instruments, Heater Hook-up Wire, Heating Cable Systems, Immersion Heaters, Process Air and Duct, Heaters, Radiant Heaters, Strip Heaters, Tubular Heaters