

# WET/WET DIFFERENTIAL PRESSURE UNIDIRECTIONAL AND BIDIRECTIONAL RANGES

## PX2300 Series

All Models  
**\$480**



- ✓ **0.25% Accuracy**
- ✓ **NEMA 4 (IP65) Rating**
- ✓ **Wet/Wet Corrosive Environments**
- ✓ **Ideal for Measuring Pressure Drop Across Filters**

OMEGA's PX2300 Series high-output, low differential pressure transducers are compatible with most media, from dry air to corrosive liquids. All wetted parts are either stainless steel or elastomer seals. The electronics are housed in a NEMA 4 (IP65) enclosure. A high working pressure and high overpressure ratings ensure dependability in harsh industrial environments. These transducers are ideal for measuring pressure drop across filters and other process devices.

### SPECIFICATIONS:

**Excitation:** 24 Vdc nominal

**Max:** 30 + 0.004 x (loop resistance  $\Omega$ ) Vdc

**Min:** 11 + 0.02 x (loop resistance  $\Omega$ ) Vdc

**Loop Resistance:** 0 to 1000  $\Omega$

**Output:** 4 to 20 mA (2-wire)

**Accuracy:**  $\pm 0.25\%$  RSS FS at constant temperature (includes linearity, repeatability and hysteresis)

**Linearity:**  $\pm 0.20\%$  FS

**Hysteresis:** 0.10% FS

**Repeatability:**  $\pm 0.05\%$  FS

**Operating Temperature Range:**

-18 to 80°C (0 to 176°F)

**Compensated Temperature Range:**

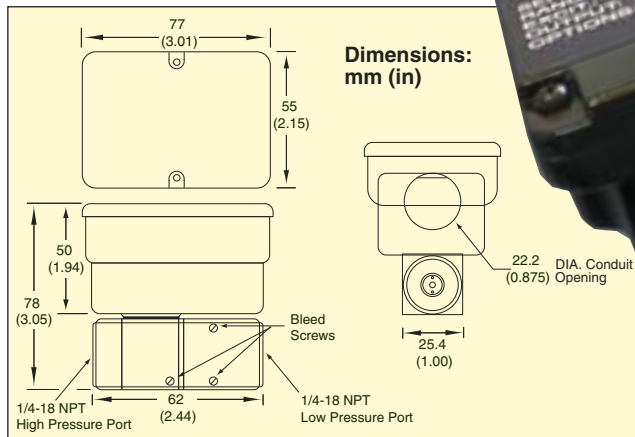
-1 to 65°C (30 to 149°F)

**Thermal Zero Effect:**  $< \pm 0.02\%$  FS/°F

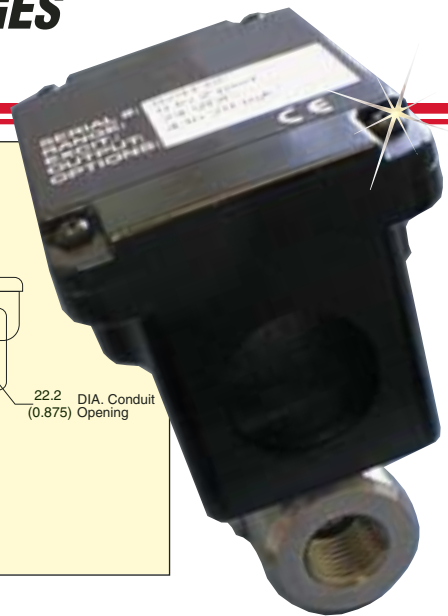
**Thermal Span Effect:**  $< \pm 0.02\%$  FS/°F

**Sensor:** Capacitive

**Maximum Line Pressure:** 250 psig



Dimensions:  
mm (in)



PX2300-1DI, \$480, shown smaller than actual size.

### Maximum Overpressure:

**High Side:** 1 to 5 psi = 20 x FS,  
10 to 25 psi = 10 x FS, 50 psi = 5 x FS,  
100 psi = 2.5 x FS

**Low Side:** 2.5 x FS (shift recoverable)

The zero will shift slightly when high differential pressure is applied. The shift may be as much as  $\pm 10\%$  FS with overpressure applied to the low port. (Other parameters will not shift.) The shift may be recovered by a positive overpressure or if the overpressure is always in one direction, the user may apply this pressure to pre-set the sensor. Subsequent overloads of less pressure will not cause any further shift.

**Wetted Parts:** Air and fluids compatible with 17-4 and 300 stainless steel, FKM, and silicone O-rings

**Cavity Volume:** 0.27/0.08" pos./neg. port

**Case:** NEMA 4 (IP65)

**Pressure Port:** 1/4 NPT internal

**Electrical Connection:** Internal barrier strip with 22.2 mm (0.875") conduit opening

**Response Time:** 50 ms (water)

**Weight:** 410 g (14.4 oz)

**MOST POPULAR MODELS HIGHLIGHTED!**

### To Order (Specify Model Number)

RANGE (psid)	MODEL NO.	PRICE	COMPATIBLE METERS
0 to 1	PX2300-1DI	\$480	DP41-E, DP25B-E, DP-7700
0 to 2	PX2300-2DI	480	DP41-E, DP25B-E, DP-7700
0 to 5	PX2300-5DI	480	DP41-E, DP25B-E, DP-7700
0 to 10	PX2300-10DI	480	DP41-E, DP25B-E, DP-7700
0 to 25	PX2300-25DI	480	DP41-E, DP25B-E, DP-7700
0 to 50	PX2300-50DI	480	DP41-E, DP25B-E, DP-7700
0 to 100	PX2300-100DI	480	DP41-E, DP25B-E, DP-7700
$\pm 0.5$	PX2300-0.5BDI	480	DP41-E, DP25B-E, DP-7700
$\pm 1$	PX2300-1BDI	480	DP41-E, DP25B-E, DP-7700
$\pm 2.5$	PX2300-2.5BDI	480	DP41-E, DP25B-E, DP-7700
$\pm 5$	PX2300-5BDI	480	DP41-E, DP25B-E, DP-7700
$\pm 10$	PX2300-10BDI	480	DP41-E, DP25B-E, DP-7700
$\pm 25$	PX2300-25BDI	480	DP41-E, DP25B-E, DP-7700
$\pm 50$	PX2300-50BDI	480	DP41-E, DP25B-E, DP-7700

Comes complete with operator's manual.

**Ordering Examples:** PX2300-5BDI, bidirectional range -5 to 5 psid transducer with current output, \$480. PX2300-1DI, 0 to 1 psid range transducer with current output, \$480.

### ACCESSORY

MODEL NO.	PRICE	DESCRIPTION
ES-2064	\$56	Reference Book: Principles of Water Quality Management



# omega.co.uk<sup>®</sup>

Your One-Stop Source for Process Measurement and Control!

Freephone 0800 488 488 | International +44(0) 161 777 6622 | Fax +44(0) 161 777 6622 | Sales@omega.co.uk

[www.omega.co.uk](http://www.omega.co.uk)



#### UNITED STATES

[www.omega.com](http://www.omega.com)

1-800-TC-OMEGA  
Stamford, CT.

#### UNITED KINGDOM

[www.omega.co.uk](http://www.omega.co.uk)

Manchester, England  
0800-488-488  
+44-(0)161-777-6611

#### CANADA

[www.omega.ca](http://www.omega.ca)

Laval(Quebec)  
1-800-TC-OMEGA

#### FRANCE

[www.omega.fr](http://www.omega.fr)

0800-466-342

#### GERMANY

[www.omega.de](http://www.omega.de)

Deckenfronn, Germany  
0800-8266342

#### BENELUX

[www.omega.nl](http://www.omega.nl)

0800-099-33-44



## More than 100,000 Products Available!

### • Temperature

Calibrators, Connectors, General Test and Measurement Instruments, Handheld Instruments for Temperature Measurement, Ice Point References, Indicating Labels, Crayons, Cements and Lacquers, Infrared Temperature Measurement Instruments, Recorders, Relative Humidity Measurement Instruments, PT100 Probes, PT100 Elements, Temperature & Process Meters, Timers and Counters, Temperature and Process Controllers and Power Switching Devices, Thermistor Elements, Probes and Assemblies, Thermocouples, Thermowells and Head and Well Assemblies, Transmitters, Thermocouple Wire, RTD Probes

### • Flow and Level

Air Velocity Indicators, Doppler Flowmeters, Level Measurement, Magnetic Flowmeters, Mass Flowmeters, Pitot Tubes, Pumps, Rotameters, Turbine and Paddle Wheel Flowmeters, Ultrasonic Flowmeters, Valves, Variable Area Flowmeters, Vortex Shedding Flowmeters

### • pH and Conductivity

Conductivity Instrumentation, Dissolved Oxygen Instrumentation, Environmental Instrumentation, pH Electrodes and Instruments, Water and Soil Analysis Instrumentation

### • Data Acquisition

Communication Products and Converters, Data Acquisition and Analysis Software, Data Loggers Plug-in Cards, Signal Conditioners, USB, RS232, RS485, Ethernet and Parallel Port Data Acquisition Systems, Wireless Transmitters and Receivers

### • Pressure, Strain and Force

Displacement Transducers, Dynamic Measurement Force Sensors, Instrumentation for Pressure and Strain Measurements, Load Cells, Pressure Gauges, Pressure Reference Section, Pressure Switches, Pressure Transducers, Proximity Transducers, Regulators, Pressure Transmitters, Strain Gauges, Torque Transducers, Valves

### • Heaters

Band Heaters, Cartridge Heaters, Circulation Heaters, Comfort Heaters, Controllers, Meters and Switching Devices, Flexible Heaters, General Test and Measurement Instruments, Heater Hook-up Wire, Heating Cable Systems, Immersion Heaters, Process Air and Duct, Heaters, Radiant Heaters, Strip Heaters, Tubular Heaters