



# LOW-COST STAINLESS STEEL CASE TRANSDUCERS FOR LOW PRESSURE AND VACUUMS

**PX240A Series**  
5 to 250 psig  
0.5 to 16 bar

Starts at  
**\$149**

Imperial Ranges



- ✓ Silicon Diaphragm
- ✓ Stainless Steel Case
- ✓ Buna-N Seals
- ✓ 8 Vdc Excitation
- ✓ 0.3 m (12") Lead Wires
- ✓ -40 to 85°C (-40 to 185°F)
- ✓ 1 to 6 Vdc Output
- ✓ Temperature Compensated



books1.com  
omega.com



Supplied with 0.3 m (12") leads.

PX242A-015G5V, \$159, shown close to actual size.

## SPECIFICATIONS

**Excitation:** 8 Vdc regulated, 7 to 16 Vdc

**Output:** 1 to 6 Vdc @ 8 Vdc into 800 Ω min

**Linearity:** ±0.25% linearity and hysteresis combined

**Repeatability:** ±0.1%

**Zero Balance:** 1.0 Vdc ±0.05; PX243, 3.5 Vdc ±0.05

**Compensated Temperature Range:** -27 to 63°C (-17 to 145°F)

**Operable Overpressure:** 2x FS

**Response Time:** 1 ms

**Gage Type:** Solid state piezoresistive

**Body Material:** Stainless steel

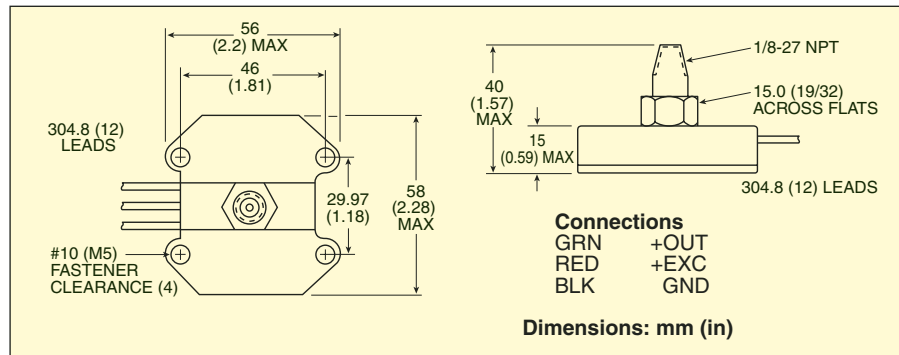
**Diaphragm Material:** 2.5 mm (0.10") square silicon sensor chip with Buna-N O-ring

**Media Compatibility:** Limited to non-caustic media that will not attack stainless steel, silica, borosilicate glass or Buna-N seal

**Pressure Port:** 1/8-27 NPT male

## ACCESSORY

MODEL NO.	PRICE	DESCRIPTION
PE-1001	\$250	Reference Book: Instrumentation and Control Fundamentals and Applications



**MOST POPULAR MODELS HIGHLIGHTED!**

## To Order (Specify Model Number)

RANGE	MODEL NO.	PRICE	COMPATIBLE METERS*
-15 to 0 psig	PX241A-15NG5V	\$159	DPiS8, DP41-E, DP25B-E
0 to 5 psig	PX242A-005G5V	159	DPiS8, DP41-E, DP25B-E
0 to 15 psig	PX242A-015G5V	159	DPiS8, DP41-E, DP25B-E
0 to 30 psig	PX242A-030G5V	159	DPiS8, DP41-E, DP25B-E
0 to 60 psig	PX242A-060G5V	159	DPiS8, DP41-E, DP25B-E
0 to 100 psig	PX242A-100G5V	149	DPiS8, DP41-E, DP25B-E
0 to 150 psig	PX242A-150G5V	149	DPiS8, DP41-E, DP25B-E
0 to 250 psig	PX242A-250G5V	149	DPiS8, DP41-E, DP25B-E
±2.5 psig	PX243A-2.5BG5V	159	DPiS8, DP41-E, DP25B-E
±5.0 psig	PX243A-05BG5V	159	DPiS8, DP41-E, DP25B-E
±15 psig	PX243A-15BG5V	159	DPiS8, DP41-E, DP25B-E

Comes with complete operator's manual.

\* See section D for compatible meters.

**Ordering Examples:** PX242A-015G5V, stainless steel transducer with 0 to 15 psig range and 1/8 NPT fitting, \$159.

# omega.co.uk<sup>®</sup>

Your One-Stop Source for Process Measurement and Control!

Freephone 0800 488 488 | International +44(0) 161 777 6622 | Fax +44(0) 161 777 6622 | Sales@omega.co.uk

[www.omega.co.uk](http://www.omega.co.uk)



#### UNITED STATES

[www.omega.com](http://www.omega.com)

1-800-TC-OMEGA  
Stamford, CT.

#### UNITED KINGDOM

[www.omega.co.uk](http://www.omega.co.uk)

Manchester, England  
0800-488-488  
+44-(0)161-777-6611

#### CANADA

[www.omega.ca](http://www.omega.ca)

Laval(Quebec)  
1-800-TC-OMEGA

#### FRANCE

[www.omega.fr](http://www.omega.fr)

0800-466-342

#### GERMANY

[www.omega.de](http://www.omega.de)

Deckenfronn, Germany  
0800-8266342

#### BENELUX

[www.omega.nl](http://www.omega.nl)

0800-099-33-44



## More than 100,000 Products Available!

### • Temperature

Calibrators, Connectors, General Test and Measurement Instruments, Handheld Instruments for Temperature Measurement, Ice Point References, Indicating Labels, Crayons, Cements and Lacquers, Infrared Temperature Measurement Instruments, Recorders, Relative Humidity Measurement Instruments, PT100 Probes, PT100 Elements, Temperature & Process Meters, Timers and Counters, Temperature and Process Controllers and Power Switching Devices, Thermistor Elements, Probes and Assemblies, Thermocouples, Thermowells and Head and Well Assemblies, Transmitters, Thermocouple Wire, RTD Probes

### • Flow and Level

Air Velocity Indicators, Doppler Flowmeters, Level Measurement, Magnetic Flowmeters, Mass Flowmeters, Pitot Tubes, Pumps, Rotameters, Turbine and Paddle Wheel Flowmeters, Ultrasonic Flowmeters, Valves, Variable Area Flowmeters, Vortex Shedding Flowmeters

### • pH and Conductivity

Conductivity Instrumentation, Dissolved Oxygen Instrumentation, Environmental Instrumentation, pH Electrodes and Instruments, Water and Soil Analysis Instrumentation

### • Data Acquisition

Communication Products and Converters, Data Acquisition and Analysis Software, Data Loggers Plug-in Cards, Signal Conditioners, USB, RS232, RS485, Ethernet and Parallel Port Data Acquisition Systems, Wireless Transmitters and Receivers

### • Pressure, Strain and Force

Displacement Transducers, Dynamic Measurement Force Sensors, Instrumentation for Pressure and Strain Measurements, Load Cells, Pressure Gauges, Pressure Reference Section, Pressure Switches, Pressure Transducers, Proximity Transducers, Regulators, Pressure Transmitters, Strain Gauges, Torque Transducers, Valves

### • Heaters

Band Heaters, Cartridge Heaters, Circulation Heaters, Comfort Heaters, Controllers, Meters and Switching Devices, Flexible Heaters, General Test and Measurement Instruments, Heater Hook-up Wire, Heating Cable Systems, Immersion Heaters, Process Air and Duct, Heaters, Radiant Heaters, Strip Heaters, Tubular Heaters