

# TRIPLE-RANGE PRESSURE TRANSMITTER

## WITH NEMA 4 (IP65) ENCLOSURE

**PX264 Series**  
0-25 to 0-500 psi

PX264-100GI, \$350,  
shown smaller than  
actual size.

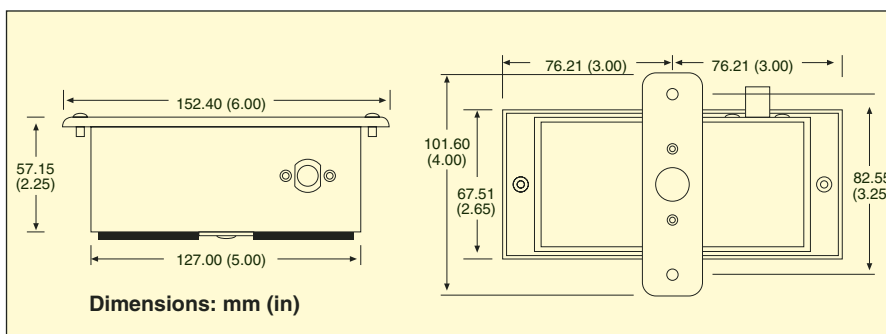


All Ranges  
**\$350**



- ✓ 3 Field-Selectable Ranges in a Single Unit
- ✓ Rugged NEMA 4 (IP65) Enclosure with External Mounting Bracket
- ✓ Rugged 316L Stainless Steel Monolithic Pressure Cavity
- ✓ Short Circuit and Reverse Polarity Protected

The PX264 is a rugged industrial pressure transmitter that offers 3 field-selectable ranges in one unit. It features a 316L stainless steel pressure cavity that is machined from a solid rod, eliminating any welds, seams, or bonds. The PX264 incorporates a NEMA 4 (IP65) dust-proof and splashproof enclosure with an external mounting bracket.



### SPECIFICATIONS

**Excitation:** 12 to 40 Vdc  
**Output:** 4 to 20 mA (2 wire)  
**Accuracy:** ±1.0% FS  
**Operating Temp:**  
 -18 to 82°C (0 to 180°F)  
**Compensated Temp:**  
 -18 to 82°C (0 to 180°F)  
**Thermal Effects:** 0.3% FS/°C  
 (±0.025% FS/°F)

**Proof Pressure:** 300% FS  
**Burst Pressure:** 500% FS  
**Wetted Parts:** 316L stainless steel  
**Pressure Port:** 1/2-27 NPT female  
**Termination:** Screw terminals  
**Enclosure:** Enamel coated, 18 GA steel, NEMA 4 (IP65) rated  
**Weight:** 454 g (1.0 lb)

**MOST POPULAR MODELS HIGHLIGHTED!**

### To Order (Specify Model Number)

MODEL NO.	SELECTABLE RANGES (psig)	PRICE	COMPATIBLE METERS*
PX264-100GI	0 to 100, 0 to 50, 0 to 25	\$350	DP24-E, DP25B-E, DP41-E
PX264-300GI	0 to 300, 0 to 150, 0 to 75	350	DP24-E, DP25B-E, DP41-E
PX264-500GI	0 to 500, 0 to 250, 0 to 125	350	DP24-E, DP25B-E, DP41-E

Comes with complete operator's manual.

\* See section D for compatible meters.

**Ordering Example:** PX264-300GI, pressure transmitter with user-selectable ranges of 0 to 300, 0 to 150 and 0 to 75 psig, \$350.

### ACCESSORY

MODEL NO.	PRICE	DESCRIPTION
CM-4422	\$40	Reference Book: Hydraulics and Pneumatics



# omega.co.uk<sup>®</sup>

Your One-Stop Source for Process Measurement and Control!

Freephone 0800 488 488 | International +44(0) 161 777 6622 | Fax +44(0) 161 777 6622 | Sales@omega.co.uk

[www.omega.co.uk](http://www.omega.co.uk)



#### UNITED STATES

[www.omega.com](http://www.omega.com)

1-800-TC-OMEGA  
Stamford, CT.

#### UNITED KINGDOM

[www.omega.co.uk](http://www.omega.co.uk)

Manchester, England  
0800-488-488  
+44-(0)161-777-6611

#### CANADA

[www.omega.ca](http://www.omega.ca)

Laval(Quebec)  
1-800-TC-OMEGA

#### FRANCE

[www.omega.fr](http://www.omega.fr)

0800-466-342

#### GERMANY

[www.omega.de](http://www.omega.de)

Deckenfronn, Germany  
0800-8266342

#### BENELUX

[www.omega.nl](http://www.omega.nl)

0800-099-33-44



## More than 100,000 Products Available!

### • Temperature

Calibrators, Connectors, General Test and Measurement Instruments, Handheld Instruments for Temperature Measurement, Ice Point References, Indicating Labels, Crayons, Cements and Lacquers, Infrared Temperature Measurement Instruments, Recorders, Relative Humidity Measurement Instruments, PT100 Probes, PT100 Elements, Temperature & Process Meters, Timers and Counters, Temperature and Process Controllers and Power Switching Devices, Thermistor Elements, Probes and Assemblies, Thermocouples, Thermowells and Head and Well Assemblies, Transmitters, Thermocouple Wire, RTD Probes

### • Flow and Level

Air Velocity Indicators, Doppler Flowmeters, Level Measurement, Magnetic Flowmeters, Mass Flowmeters, Pitot Tubes, Pumps, Rotameters, Turbine and Paddle Wheel Flowmeters, Ultrasonic Flowmeters, Valves, Variable Area Flowmeters, Vortex Shedding Flowmeters

### • pH and Conductivity

Conductivity Instrumentation, Dissolved Oxygen Instrumentation, Environmental Instrumentation, pH Electrodes and Instruments, Water and Soil Analysis Instrumentation

### • Data Acquisition

Communication Products and Converters, Data Acquisition and Analysis Software, Data Loggers Plug-in Cards, Signal Conditioners, USB, RS232, RS485, Ethernet and Parallel Port Data Acquisition Systems, Wireless Transmitters and Receivers

### • Pressure, Strain and Force

Displacement Transducers, Dynamic Measurement Force Sensors, Instrumentation for Pressure and Strain Measurements, Load Cells, Pressure Gauges, Pressure Reference Section, Pressure Switches, Pressure Transducers, Proximity Transducers, Regulators, Pressure Transmitters, Strain Gauges, Torque Transducers, Valves

### • Heaters

Band Heaters, Cartridge Heaters, Circulation Heaters, Comfort Heaters, Controllers, Meters and Switching Devices, Flexible Heaters, General Test and Measurement Instruments, Heater Hook-up Wire, Heating Cable Systems, Immersion Heaters, Process Air and Duct, Heaters, Radiant Heaters, Strip Heaters, Tubular Heaters