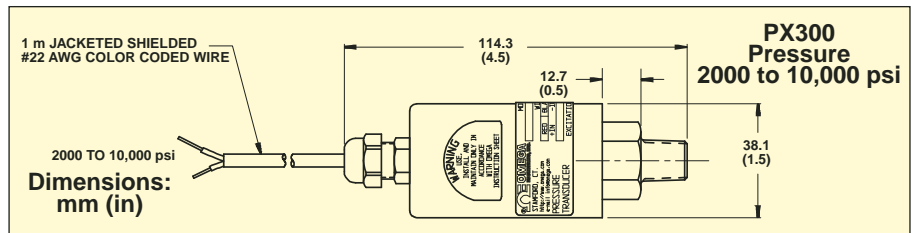
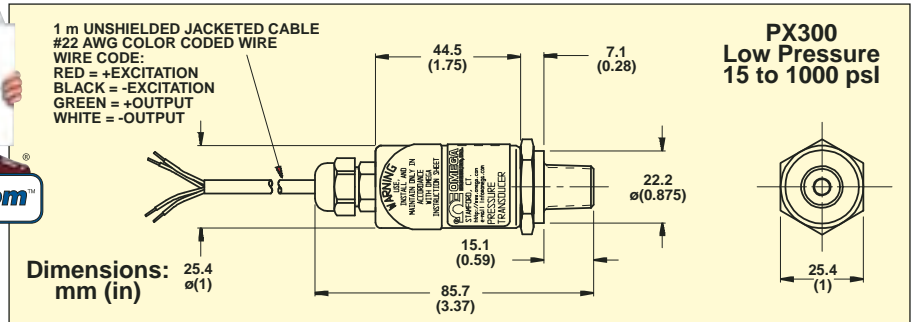


GENERAL PURPOSE 30 mV OUTPUT TRANSDUCER GAGE PRESSURE MODELS

PX300 Series
0-15 to 0-10,000 psi
0-1 to 0-689 bar

All Ranges
\$225



- ✓ All Stainless Steel Construction
- ✓ Integral Strain Relief for Cable
- ✓ 0.25% Full Scale Accuracy
- ✓ Long Cycle Life

SPECIFICATIONS

Excitation: 10 Vdc (5 to 15 Vdc Limits)
Output: 3 mV/V ratiometric
 30 mV ±1 mV @ 10V
Accuracy: 0.25% FS (linearity, hysteresis, repeatability)
Zero Balance: ±2%
Long-Term Stability: ±0.5% FS
Typical Life: 100 million cycles
Operating Temperature: -18 to 71°C (0 to 160°F)
Compensated Temperature: -1 to 71°C (30 to 160°F)
Total Thermal Effects: 1% FS max
Proof Pressure: 200%, 13,000 psi max
Input Resistance: 15,000 Ω maximum
Response Time: 1 ms
Gage Type: Stainless steel diaphragm, silicone oil-filled semiconductor sensor
Shock: 50 g @ 11 ms
Vibration: 15 g 10 to 2000 Hz
Wetted Parts: 17-4 PH and 300 Series stainless steel
Pressure Port: ¼ NPT male
Electrical Conn: 4-cond, 22 AWG, PVC unshielded, 1 m (3') cable
Weight: 131 g (4.6 oz) to 1000 psi
 190 g (6.7 oz) from 1000 psi

MOST POPULAR MODELS HIGHLIGHTED!

To Order (Specify Model Number)

RANGE	MODEL NO.	PRICE	COMPATIBLE METERS*
GAGE MODELS			
0 to 15 psig	0 to 1.0 bar	PX300-015GV	\$225 DP25B-S, DP41-S, DPiS series
0 to 50 psig	0 to 3.4 bar	PX300-050GV	225 DP25B-S, DP41-S, DPiS series
0 to 100 psig	0 to 6.9 bar	PX300-100GV	225 DP25B-S, DP41-S, DPiS series
0 to 200 psig	0 to 13.8 bar	PX300-200GV	225 DP25B-S, DP41-S, DPiS series
0 to 300 psig	0 to 20.7 bar	PX300-300GV	225 DP25B-S, DP41-S, DPiS series
0 to 500 psig	0 to 34.5 bar	PX300-500GV	225 DP25B-S, DP41-S, DPiS series
0 to 1000 psig	0 to 68.9 bar	PX300-1KGV	225 DP25B-S, DP41-S, DPiS series
0 to 2000 psig	0 to 138.0 bar	PX300-2KGV	225 DP25B-S, DP41-S, DPiS series
0 to 3000 psig	0 to 207.0 bar	PX300-3KGV	225 DP25B-S, DP41-S, DPiS series
0 to 5000 psig	0 to 345.0 bar	PX300-5KGV	225 DP25B-S, DP41-S, DPiS series
0 to 7500 psig	0 to 517.0 bar	PX300-7.5KGV	225 DP25B-S, DP41-S, DPiS series
0 to 10,000 psig	0 to 689.0 bar	PX300-10KGV	225 DP25B-S, DP41-S, DPiS series

Comes with complete operator's manual.

* See section D for compatible meters.

Ordering Example: PX300-1KGV, pressure transducer with 1000 psi and 30 mV output and PS-4G, pressure snubber for gases, \$225 + 10 = \$235.

ACCESSORY

MODEL NO.	PRICE	DESCRIPTION
OP-17	\$15	Reference Book: Measure for Measure



omega.co.uk[®]

Your One-Stop Source for Process Measurement and Control!

Freephone 0800 488 488 | International +44(0) 161 777 6622 | Fax +44(0) 161 777 6622 | Sales@omega.co.uk

www.omega.co.uk



UNITED STATES

www.omega.com

1-800-TC-OMEGA
Stamford, CT.

CANADA

www.omega.ca

Laval(Quebec)
1-800-TC-OMEGA

GERMANY

www.omega.de

Deckenfronn, Germany
0800-8266342

UNITED KINGDOM

www.omega.co.uk

Manchester, England
0800-488-488
+44-(0)161-777-6611

FRANCE

www.omega.fr

0800-466-342

BENELUX

www.omega.nl

0800-099-33-44



More than 100,000 Products Available!

• Temperature

Calibrators, Connectors, General Test and Measurement Instruments, Handheld Instruments for Temperature Measurement, Ice Point References, Indicating Labels, Crayons, Cements and Lacquers, Infrared Temperature Measurement Instruments, Recorders, Relative Humidity Measurement Instruments, PT100 Probes, PT100 Elements, Temperature & Process Meters, Timers and Counters, Temperature and Process Controllers and Power Switching Devices, Thermistor Elements, Probes and Assemblies, Thermocouples, Thermowells and Head and Well Assemblies, Transmitters, Thermocouple Wire, RTD Probes

• Flow and Level

Air Velocity Indicators, Doppler Flowmeters, Level Measurement, Magnetic Flowmeters, Mass Flowmeters, Pitot Tubes, Pumps, Rotameters, Turbine and Paddle Wheel Flowmeters, Ultrasonic Flowmeters, Valves, Variable Area Flowmeters, Vortex Shedding Flowmeters

• pH and Conductivity

Conductivity Instrumentation, Dissolved Oxygen Instrumentation, Environmental Instrumentation, pH Electrodes and Instruments, Water and Soil Analysis Instrumentation

• Data Acquisition

Communication Products and Converters, Data Acquisition and Analysis Software, Data Loggers Plug-in Cards, Signal Conditioners, USB, RS232, RS485, Ethernet and Parallel Port Data Acquisition Systems, Wireless Transmitters and Receivers

• Pressure, Strain and Force

Displacement Transducers, Dynamic Measurement Force Sensors, Instrumentation for Pressure and Strain Measurements, Load Cells, Pressure Gauges, Pressure Reference Section, Pressure Switches, Pressure Transducers, Proximity Transducers, Regulators, Pressure Transmitters, Strain Gauges, Torque Transducers, Valves

• Heaters

Band Heaters, Cartridge Heaters, Circulation Heaters, Comfort Heaters, Controllers, Meters and Switching Devices, Flexible Heaters, General Test and Measurement Instruments, Heater Hook-up Wire, Heating Cable Systems, Immersion Heaters, Process Air and Duct, Heaters, Radiant Heaters, Strip Heaters, Tubular Heaters