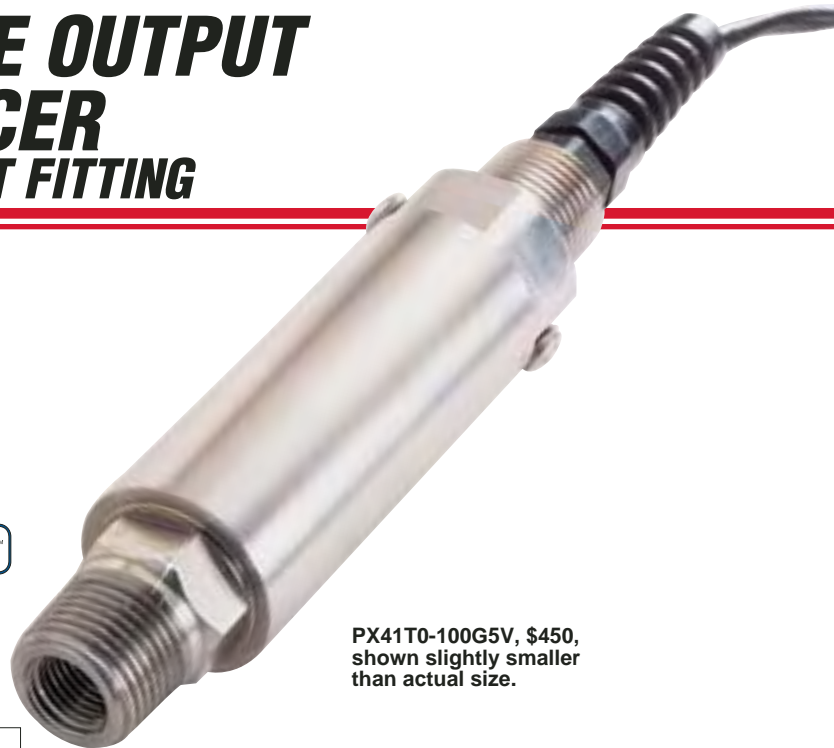


HEAVY-DUTY VOLTAGE OUTPUT PRESSURE TRANSDUCER WITH UNIQUE DUAL 1/2 AND 1/4 NPT FITTING

PX41 Series
5.5 Vdc Output
0-10 to 0-30,000 psi
0-0.7 to 0-2000 bar

1 bar = 14.5 psi
1 kg/cm² = 14.22 psi
1 atmosphere = 14.7 psi = 29.93
inHg = 760.2 mmHg = 1.014 bar



PX41T0-100G5V, \$450, shown slightly smaller than actual size.

Starts at
\$450



MOST POPULAR MODELS HIGHLIGHTED!

- ✓ FM Approved Intrinsically Safe—Standard
- ✓ Special MSHA-Approved Model Available
- ✓ All Stainless Steel Body
- ✓ Heavy-Duty Construction for Harsh Environments
- ✓ Available in Gage, Sealed Gage, and Absolute Pressure Models

OMEGA's PX41 is a high-accuracy, rugged, low-cost, 5 V output industrial pressure transducer. Its all stainless steel construction makes it suitable for the harshest environments. The PX41 is available in gage, absolute, or sealed models. Ten feet of 4-conductor shielded cable is standard. A twist-lock-style connector is also available. A wide selection of amplified voltage and current output models makes this a truly versatile family of industrial transducers.

SPECIFICATIONS

Excitation: 10 to 40 Vdc

Output: 0.5 to 5.5 Vdc

Zero Balance: 0.5 V adj ±10% FSO

AGENCY APPROVAL

FM Intrinsically Safe: IS/I.II.III/1/CDEFG standard on all models

MSHA (Optional): Mine Safety and Health Administration (must be specified at time of order)

Accuracy: 0.25% FS linearity and hysteresis combined

To Order (Specify Model Number)

RANGE		MODEL NO.	PRICE	COMPATIBLE METERS**
ABSOLUTE PRESSURE (All Ranges Available in Absolute Pressure)				
0 to 15 psi	0 to 1.0 bar	PX41T0-015A5V	\$500	DP41-E, DP25B-E, DP24-E
0 to 20 psi	0 to 1.4 bar	PX41T0-020A5V	500	DP41-E, DP25B-E, DP24-E
0 to 30 psi	0 to 2.1 bar	PX41T0-030A5V	500	DP41-E, DP25B-E, DP24-E
0 to 50 psi	0 to 3.4 bar	PX41T0-050A5V	450	DP41-E, DP25B-E, DP24-E
GAGE PRESSURE (All Ranges Also Available in Sealed Gage Pressure)				
0 to 10 psi	0 to 0.69 bar	PX41T0-010G5V	\$500	DP41-E, DP25B-E, DP24-E
0 to 15 psi	0 to 1.0 bar	PX41T0-015G5V	500	DP41-E, DP25B-E, DP24-E
0 to 20 psi	0 to 1.4 bar	PX41T0-020G5V	500	DP41-E, DP25B-E, DP24-E
0 to 30 psi	0 to 2.1 bar	PX41T0-030G5V	500	DP41-E, DP25B-E, DP24-E
0 to 50 psi	0 to 3.4 bar	PX41T0-050G5V	450	DP41-E, DP25B-E, DP24-E
0 to 75 psi	0 to 5.2 bar	PX41T0-075G5V	450	DP41-E, DP25B-E, DP24-E
0 to 100 psi	0 to 6.9 bar	PX41T0-100G5V	450	DP41-E, DP25B-E, DP24-E
0 to 200 psi	0 to 13.8 bar	PX41T0-200G5V	450	DP41-E, DP25B-E, DP24-E
0 to 300 psi	0 to 20.7 bar	PX41T0-300G5V	450	DP41-E, DP25B-E, DP24-E
0 to 500 psi	0 to 34.5 bar	PX41T0-500G5V	450	DP41-E, DP25B-E, DP24-E
0 to 1000 psi	0 to 68.9 bar	PX41T0-1KG5V	450	DP41-E, DP25B-E, DP24-E
0 to 2000 psi	0 to 138 bar	PX41T0-2KG5V	450	DP41-E, DP25B-E, DP24-E
0 to 2500 psi	0 to 172 bar	PX41T0-2.5KG5V	450	DP41-E, DP25B-E, DP24-E
0 to 3500 psi	0 to 241 bar	PX41T0-3.5KG5V	450	DP41-E, DP25B-E, DP24-E
0 to 5000 psi	0 to 345 bar	PX41T0-5KG5V	450	DP41-E, DP25B-E, DP24-E
0 to 10,000 psi	0 to 689 bar	PX41S0-10KG5V	450	DP41-E, DP25B-E, DP24-E*
0 to 20,000 psi	0 to 1379 bar	PX41S0-20KG5V	450	DP41-E, DP25B-E*, DP24-E*
0 to 30,000 psi	0 to 2068 bar	PX41S0-30KG5V	450	DP41-E, DP25B-E*, DP24-E*

Comes with 5-point calibration.

Metric ranges available – consult Engineering.

* 4-digit meter, counts in increments of 10.

** See section D for compatible meters.

To order sealed gage pressure models, replace "G" in model number with "S" (no extra charge).

To order absolute pressure models, replace "G" in model number with "A" (no extra charge).

Ordering Examples: PX41T0-5KG5V, 5000 psi gage pressure transducer with 0.5 to 5.5 Vdc output, \$450. PX41T0-015A5V, 15 psi absolute pressure transducer with 0.5 to 5.5 Vdc output, \$500.

ACCESSORY

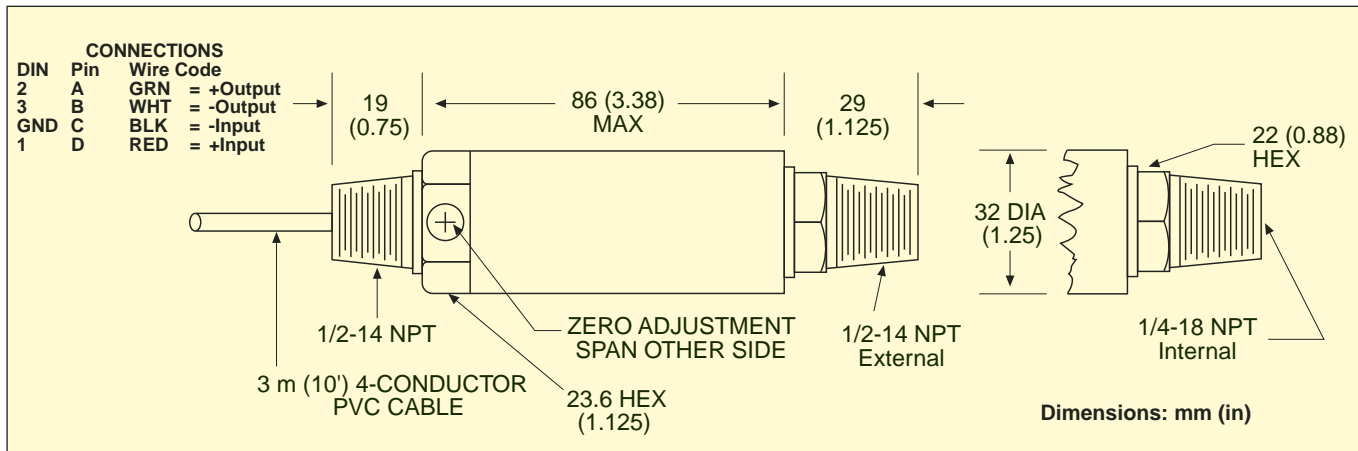
MODEL NO.	PRICE	DESCRIPTION
AV-1017	\$130	Reference Book: Mechanics of Aircraft Structures

HEAVY-DUTY INDUSTRIAL TRANSDUCER



VOLTAGE OUTPUT
PRESSURE TRANSDUCERS

B



Operational Temp Range:
-47 to 121°C (-50 to 250°F)

Compensated Temp Range:
16 to 71°C (60 to 160°F)

Thermal Effects:
Span: 0.003% of rdg/°F
Zero: 0.0045% of FSO/°F

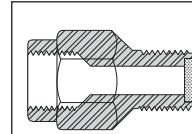
Proof Pressure:
150% of rated pressure

Burst Pressure:
300% of rated pressure

Wetted Parts: 17-4 PH stainless steel

Pressure Port:
<10,000 psi: 1/2-14 NPT external,
1/4-18 NPT internal
≥10,000 psi: 3/8-18, 1/4" HP tube

Electrical Connection:
3 m (10') 4-conductor PVC cable



1/4 NPT Pressure Snubbers: \$10
PS-4G = Gas
PS-4L = Lt Oil
PS-4D = Dense Lq

CUSTOM CONFIGURATIONS

SERIES PX41	PRESSURE PORT [1]	ELECTRICAL CONNECTION [2]	RANGE (psi) [3]	UNITS [4]	OUTPUT [5]	OPTIONS [6]
	C = 1/4-18 NPT-M +\$20		010	S,G,A	5V = 0.5 to 5.5 Vdc output	FM FM Hazardous Location +\$150
	D = 1/4-18 NPT-F, no charge		015	S,G,A	Base Price	4 to 20 mA output
	S = 1/4 HP tube fitting (≥10,000 psi ranges)		020	S,G,A	5T = 0 to 5 Vdc output	"S" or "A" pres. only
	T = Dual 1/2-14 NPT external		025	S,G,A	add \$35 all ranges	MSHA Mine Safety and Health Admin.
	T = Dual 1/2-14 NPT internal		030	S,G,A	10V = 0.5 to 10.5 Vdc output	0.5 to 5.5 V or 4 to 20 mA output
	K = 1/16-20 UNF-F		050	S,G,A	n/c all ranges	
	S = 1/4 HP tube fitting		075	S,G,A	10T = 0 to 10 Vdc output	
	J = 1/16-20 UNF-M +\$20		100	S,G,A	add \$35 all ranges	OX Cleaned for Oxygen use +\$75 plus 2 weeks
	0 = 3 m (10') pigtail +\$21.3 m (ft) over 3 m (10')		200	S,G,A	I = 4 to 20 mA output	
	1 = PTIH-10-6P connector (or equal), no charge (not FM approved). Mating connector (not included), order PT06F-10-6S \$26.50		300	S,G,A	add \$30 all ranges	
	6 = DIN connector		500	S,G,A		See page B-12 for additional options, including extended compensated temperatures.
			750	S,G,A		
			1K	S,G,A		
			1.5K	S,G,A		
			2K	S,G,A		
			2.5K	S,G,A		
			3K	S,G,A		
			3.5K	S,G,A		
			5K	S,G,A		
			7.5K	S,G,A		
			10K†	S,G,A		
			15K†	S,G,A		
			20K†	S,G,A		
			30K†	S,G,A		

† = Supplied with 1/4" HP tube fitting.
Metric ranges available – see Metric Section.

To order a custom configuration:

1. Select a pressure port
2. Select electrical connection
3. Select a pressure range
4. Select pressure units
5. Select output
6. Select options and agency approvals

Ordering Examples: PX41T1-100GI, 100 psi gage pressure transmitter with PTIH-10-6P connector and 4 to 20 mA output, \$450 + 30 = \$480. PT06F-10-6S, mating connector (not included), \$26.50. PX41T0-1KSI-FM, 1000 psi sealed gage pressure transmitter with 3 m (10') cable, 4 to 20 mA output and FM approval for use in hazardous locations, \$450 + 30 + 150 = \$630. PX41T0-015A10V, 15 psi absolute pressure transducer with 3 m (10') cable and 0.5 to 10.5 Vdc output, \$500. PX41T0-30K5V, 30,000 psi sealed gage pressure transducer with 3 m (10') cable and 0.5 to 5.5 Vdc output, \$450.

omega.co.uk[®]

Your One-Stop Source for Process Measurement and Control!

Freephone 0800 488 488 | International +44(0) 161 777 6622 | Fax +44(0) 161 777 6622 | Sales@omega.co.uk

www.omega.co.uk



UNITED STATES

www.omega.com

1-800-TC-OMEGA
Stamford, CT.

UNITED KINGDOM

www.omega.co.uk

Manchester, England
0800-488-488
+44-(0)161-777-6611

CANADA

www.omega.ca

Laval(Quebec)
1-800-TC-OMEGA

FRANCE

www.omega.fr

0800-466-342

GERMANY

www.omega.de

Deckenfronn, Germany
0800-8266342

BENELUX

www.omega.nl

0800-099-33-44



More than 100,000 Products Available!

• Temperature

Calibrators, Connectors, General Test and Measurement Instruments, Handheld Instruments for Temperature Measurement, Ice Point References, Indicating Labels, Crayons, Cements and Lacquers, Infrared Temperature Measurement Instruments, Recorders, Relative Humidity Measurement Instruments, PT100 Probes, PT100 Elements, Temperature & Process Meters, Timers and Counters, Temperature and Process Controllers and Power Switching Devices, Thermistor Elements, Probes and Assemblies, Thermocouples, Thermowells and Head and Well Assemblies, Transmitters, Thermocouple Wire, RTD Probes

• Flow and Level

Air Velocity Indicators, Doppler Flowmeters, Level Measurement, Magnetic Flowmeters, Mass Flowmeters, Pitot Tubes, Pumps, Rotameters, Turbine and Paddle Wheel Flowmeters, Ultrasonic Flowmeters, Valves, Variable Area Flowmeters, Vortex Shedding Flowmeters

• pH and Conductivity

Conductivity Instrumentation, Dissolved Oxygen Instrumentation, Environmental Instrumentation, pH Electrodes and Instruments, Water and Soil Analysis Instrumentation

• Data Acquisition

Communication Products and Converters, Data Acquisition and Analysis Software, Data Loggers Plug-in Cards, Signal Conditioners, USB, RS232, RS485, Ethernet and Parallel Port Data Acquisition Systems, Wireless Transmitters and Receivers

• Pressure, Strain and Force

Displacement Transducers, Dynamic Measurement Force Sensors, Instrumentation for Pressure and Strain Measurements, Load Cells, Pressure Gauges, Pressure Reference Section, Pressure Switches, Pressure Transducers, Proximity Transducers, Regulators, Pressure Transmitters, Strain Gauges, Torque Transducers, Valves

• Heaters

Band Heaters, Cartridge Heaters, Circulation Heaters, Comfort Heaters, Controllers, Meters and Switching Devices, Flexible Heaters, General Test and Measurement Instruments, Heater Hook-up Wire, Heating Cable Systems, Immersion Heaters, Process Air and Duct, Heaters, Radiant Heaters, Strip Heaters, Tubular Heaters