

# THIN-FILM TRANSDUCERS FOR GAGE, VACUUM, OR COMPOUND RANGES RUGGED STAINLESS STEEL CONSTRUCTION

## PX603/PX613 Series

Vacuum to 20,000 psi  
(1380 bar)

Starts at  
**\$305**



- ✓ Excellent Long-Term Stability
- ✓ NEMA 4 (IP65) Cable or Connector Models
- ✓ 0.4% Accuracy
- ✓ Thin-Film Design for High Reliability
- ✓ Ideal for Liquid or Gas
- ✓ Zero and Span Adjustments

### SPECIFICATIONS

**Excitation:** 10 to 30 Vdc unregulated

**Output:** 1 to 5 Vdc (3 wire)

**Supply Current:** <3.0 mA

**Insulation Resistance:**  
100 MΩ @ 50 V

**Accuracy:** ±0.4% BFSL

**Hysteresis:** ±0.2% FS

**Repeatability:** ±0.05% FS

**Stability:** ±1.0%/year

**Durability:** 100 million cycles

**Operating Temperature:**  
-48 to 90°C (-55 to 195°F)

**Compensated Temperature:**  
-29 to 82°C (-20 to 180°F)

**Thermal Zero Effect:** ±0.07% FS/°C

**Thermal Span Effect:** ±0.07% FS/°C

**Proof Pressure:**

15 to 2000 psi = 200% FS

3000 to 5000 psi = 150% FS

7500 to 20,000 psi = 120% FS

DP41-E meter, \$545,  
sold separately,  
see section D.

PT06F8-4S connector,  
\$24, sold separately.

PX613-100G5V,  
connector style,  
\$330, shown  
smaller than  
actual size.

PX603-150G5V,  
cable style, \$305,  
shown smaller  
than actual size.

PS-4 snubber, \$10,  
sold separately.

### Burst Pressure:

15 to 2000 psi = 800% FS

3000 to 5000 psi = 500% FS

7500 to 20,000 psi = 500% FS

**Gages:** Thin-film polysilicone

**Diaphragm:** 17-4 PH stainless steel

**Case:** 300 Series stainless steel

**Pressure Connection:**

15 to 10,000 psi = ¼ NPT

15,000 and 20,000 psi = female  
Aminco fitting

**Electrical Connection:** 0.9 m (36")  
braided-shield PVC cable or connector

**Mating Connector:** PT06F8-4S  
(not included)

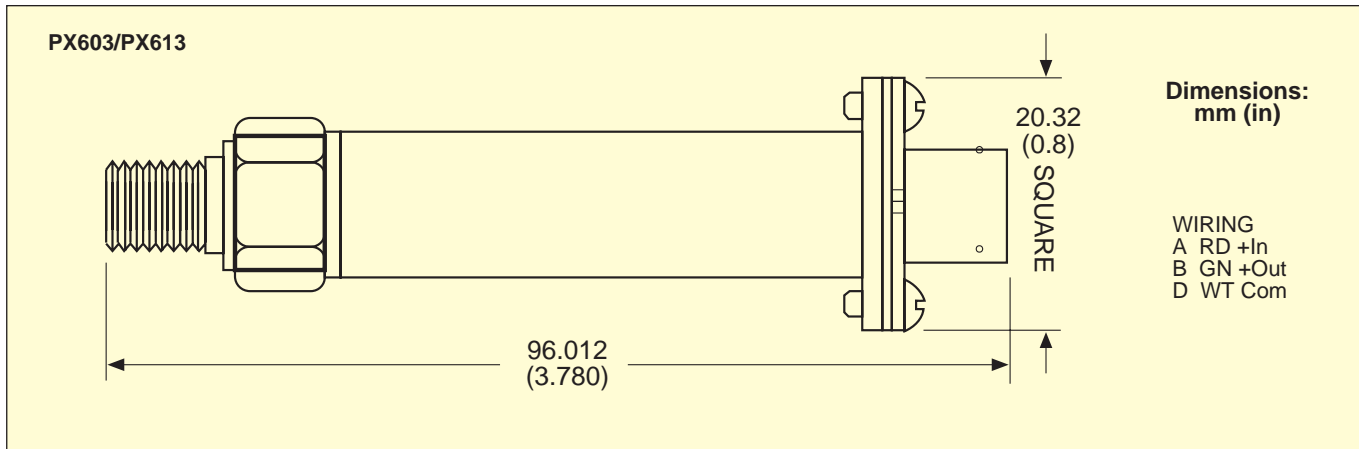
**Weight:** 128 g (4.5 oz) without cable

**Response Time:** 5 ms

**Construction:** Sealed units, except  
PX603 ≤500 psi is vented to room



# THIN-FILM TRANSDUCERS



VOLTAGE OUTPUT  
 PRESSURE TRANSDUCERS  
**B**

**MOST POPULAR MODELS HIGHLIGHTED!**

## To Order (Specify PX603 for Cable or PX613 for Connector Style)

RANGE <sup>†</sup>	bar	MODEL NO. [*] INSERT 0 or 1	PRICE PX603	PRICE PX613	COMPATIBLE METERS**
Vacuum to 0 psig	-1 to 0	PX6[*]3-30VAC5V	\$335	\$360	DP3002-E, DP41-E, DP25B-E
Vacuum to 15 psig	-1 to 1.0	PX6[*]3-30V15G5V	335	360	DP3002-E, DP41-E, DP25B-E
Vacuum to 30 psig	-1 to 2.1	PX6[*]3-30V30G5V	335	360	DP3002-E, DP41-E, DP25B-E
Vacuum to 60 psig	-1 to 4.1	PX6[*]3-30V60G5V	335	360	DP3002-E, DP41-E, DP25B-E
0 to 15 psig	0 to 1.0	PX6[*]3-015G5V	315	345	DP3002-E, DP41-E, DP25B-E
0 to 30 psig	0 to 2.1	PX6[*]3-030G5V	315	345	DP3002-E, DP41-E, DP25B-E
0 to 60 psig	0 to 4.1	PX6[*]3-060G5V	305	330	DP3002-E, DP41-E, DP25B-E
0 to 100 psig	0 to 6.9	PX6[*]3-100G5V	305	330	DP3002-E, DP41-E, DP25B-E
0 to 150 psig	0 to 10.3	PX6[*]3-150G5V	305	330	DP3002-E, DP41-E, DP25B-E
0 to 200 psig	0 to 13.8	PX6[*]3-200G5V	305	330	DP3002-E, DP41-E, DP25B-E
0 to 300 psig	0 to 20.7	PX6[*]3-300G5V	305	330	DP3002-E, DP41-E, DP25B-E
0 to 500 psig	0 to 34.5	PX6[*]3-500G5V	305	330	DP3002-E, DP41-E, DP25B-E
0 to 1000 psig	0 to 68.9	PX6[*]3-1KG5V	305	330	DP3002-E, DP41-E, DP25B-E
0 to 2000 psig	0 to 138	PX6[*]3-2KG5V	305	330	DP3002-E, DP41-E, DP25B-E
0 to 3000 psig	0 to 207	PX6[*]3-3KG5V	305	330	DP3002-E, DP41-E, DP25B-E
0 to 5000 psig	0 to 345	PX6[*]3-5KG5V	305	330	DP3002-E, DP41-E, DP25B-E
0 to 7500 psig	0 to 517	PX6[*]3-7.5KG5V	305	330	DP3002-E, DP41-E, DP25B-E
0 to 10,000 psig	0 to 689	PX6[*]3-10KG5V	335	360	DP3002-E, DP41-E, DP25B-E
0 to 15,000 psig	0 to 1034	PX6[*]3-15KG5V <sup>†</sup>	370	375	DP3002-E, DP41-E, DP25B-E
0 to 20,000 psig	0 to 1379	PX6[*]3-20KG5V <sup>†</sup>	370	375	DP3002-E, DP41-E, DP25B-E

\*\* See section D for compatible meters.

<sup>†</sup> 15,000 and 20,000 psi models supplied with female Aminco fitting.

[\*] Insert "0" for cable style, "1" for connector style.

Ordering Examples: PX603-500G5V, cable-style transducer with 1 to 5 Vdc output and range of 0 to 500 psi, \$305.

PX613-500G5V, connector-style transducer with 1 to 5 Vdc output and range of 0 to 500 psi, \$330.

PT06F8-4S, mating connector (not included), \$24.

### ACCESSORY

MODEL NO.	PRICE	DESCRIPTION
EE-2590	\$190	Reference Book: Measurement Instrumentation and Sensors Handbook



# omega.co.uk<sup>®</sup>

Your One-Stop Source for Process Measurement and Control!

Freephone 0800 488 488 | International +44(0) 161 777 6622 | Fax +44(0) 161 777 6622 | Sales@omega.co.uk

[www.omega.co.uk](http://www.omega.co.uk)



#### UNITED STATES

[www.omega.com](http://www.omega.com)

1-800-TC-OMEGA  
Stamford, CT.

#### UNITED KINGDOM

[www.omega.co.uk](http://www.omega.co.uk)

Manchester, England  
0800-488-488  
+44-(0)161-777-6611

#### CANADA

[www.omega.ca](http://www.omega.ca)

Laval(Quebec)  
1-800-TC-OMEGA

#### FRANCE

[www.omega.fr](http://www.omega.fr)

0800-466-342

#### GERMANY

[www.omega.de](http://www.omega.de)

Deckenfronn, Germany  
0800-8266342

#### BENELUX

[www.omega.nl](http://www.omega.nl)

0800-099-33-44



## More than 100,000 Products Available!

### • Temperature

Calibrators, Connectors, General Test and Measurement Instruments, Handheld Instruments for Temperature Measurement, Ice Point References, Indicating Labels, Crayons, Cements and Lacquers, Infrared Temperature Measurement Instruments, Recorders, Relative Humidity Measurement Instruments, PT100 Probes, PT100 Elements, Temperature & Process Meters, Timers and Counters, Temperature and Process Controllers and Power Switching Devices, Thermistor Elements, Probes and Assemblies, Thermocouples, Thermowells and Head and Well Assemblies, Transmitters, Thermocouple Wire, RTD Probes

### • Flow and Level

Air Velocity Indicators, Doppler Flowmeters, Level Measurement, Magnetic Flowmeters, Mass Flowmeters, Pitot Tubes, Pumps, Rotameters, Turbine and Paddle Wheel Flowmeters, Ultrasonic Flowmeters, Valves, Variable Area Flowmeters, Vortex Shedding Flowmeters

### • pH and Conductivity

Conductivity Instrumentation, Dissolved Oxygen Instrumentation, Environmental Instrumentation, pH Electrodes and Instruments, Water and Soil Analysis Instrumentation

### • Data Acquisition

Communication Products and Converters, Data Acquisition and Analysis Software, Data Loggers Plug-in Cards, Signal Conditioners, USB, RS232, RS485, Ethernet and Parallel Port Data Acquisition Systems, Wireless Transmitters and Receivers

### • Pressure, Strain and Force

Displacement Transducers, Dynamic Measurement Force Sensors, Instrumentation for Pressure and Strain Measurements, Load Cells, Pressure Gauges, Pressure Reference Section, Pressure Switches, Pressure Transducers, Proximity Transducers, Regulators, Pressure Transmitters, Strain Gauges, Torque Transducers, Valves

### • Heaters

Band Heaters, Cartridge Heaters, Circulation Heaters, Comfort Heaters, Controllers, Meters and Switching Devices, Flexible Heaters, General Test and Measurement Instruments, Heater Hook-up Wire, Heating Cable Systems, Immersion Heaters, Process Air and Duct, Heaters, Radiant Heaters, Strip Heaters, Tubular Heaters