

THIN-FILM PRESSURE TRANSMITTERS

STAINLESS STEEL CONSTRUCTION

Vacuum to 20,000 psi (1380 bar)

PX605/PX615 Series



DP41-E meter, sold separately, see omega.com/meters

PT06F8-4S connector, sold separately.

Cable style.

Metric thread adaptors available, visit omega.com

Twist-lock style.

PX615-100GI, shown smaller than actual size.

PX605-1KGI, shown smaller than actual size.

- ✓ Excellent Long-Term Stability
- ✓ NEMA 4 (IP65) Cable or Connector Models
- ✓ 0.4% Accuracy
- ✓ Thin-Film Design for High Reliability
- ✓ Ideal for Liquid or Gas

SPECIFICATIONS

Excitation: 10 to 30 Vdc unregulated

Output: 4 to 20 mA (2 wire)

Supply Current: 20 mA

Insulation Resistance: 100 MΩ @ 50 V

Accuracy: ±0.4% BFS

Hysteresis: ±0.2%

Repeatability: ±0.07%

Stability: ±0.5%/year

Durability: 100 million cycles

Operating Temperature: -28 to 121°C (-20 to 180°F)

Compensated Temperature: -28 to 71°C (-20 to 160°F)

Thermal Zero Effect: ±0.07% FS/°C

Thermal Span Effect: ±0.07% FS/°C

Proof Pressure:

15 to 2000 psi = 200% FS

3000 to 5000 psi = 150% FS

7500 to 20,000 psi = 120% FS

Burst Pressure:

15 to 2000 psi = 800% FS

3000 to 5000 psi = 300% FS

7500 to 20,000 psi = 150% FS

Gages: Thin-film polysilicon

Diaphragm: 17-4 PH stainless steel

Case: 300 Series stainless steel

Pressure Connection:

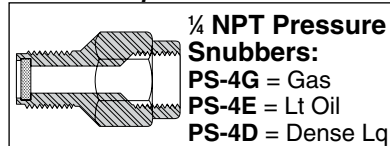
15 to 10,000 psi = ¼ NPT

15,000 and 20,000 psi = female

AMINCO fitting (¾ - 18 UNF)

PS-4 snubber, sold separately.

Snubbers protect sensors from fluid spikes/hammers!



Electrical Connection: 0.9 m (36") braided shield PVC cable or connector

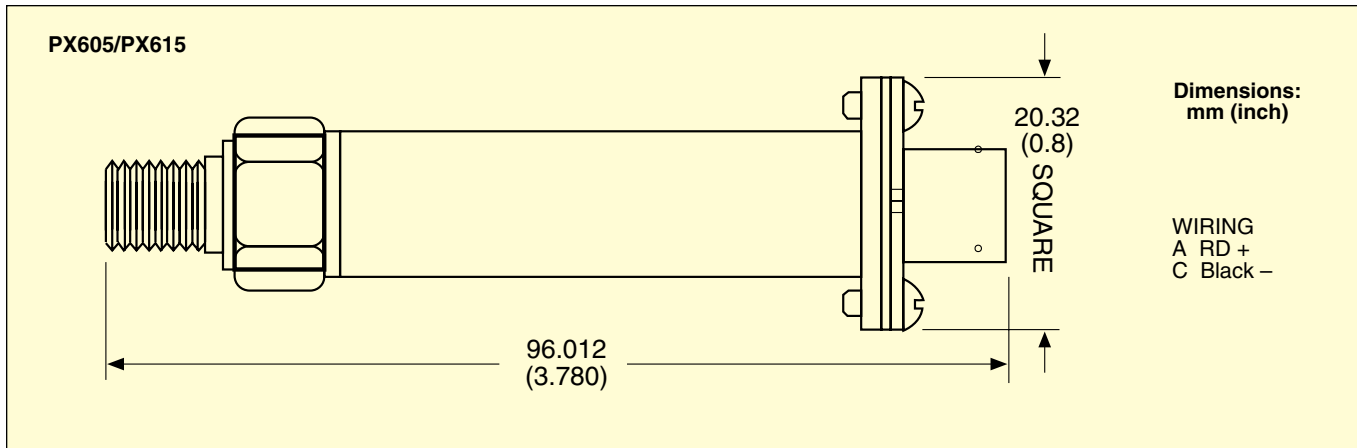
Mating Connector: PX615: PT06F8-4S (sold separately)

Response Time: 5 ms

Construction: Sealed units, except PX605 ≤500 psi is vented to room

Weight: 128 g (4.5 oz) without cable

THIN-FILM PRESSURE TRANSMITTERS



CURRENT OUTPUT
PRESSURE TRANSDUCERS

B

Specify PX605 for Cable or PX615 for Connector Style

To Order Visit omega.com/px605 for Pricing and Details

RANGE		MODEL NO. [*] INSERT 0 or 1	COMPATIBLE METERS**
psig	bar		
0 psig to Vacuum	0 bar to Vacuum	PX6[*]5-30VACI	DP3002-E, DP41-E, DP25B-E
Vacuum to 15 psig	Vacuum to 1.0 bar	PX6[*]5-30VI5GI	DP3002-E, DP41-E, DP25B-E
Vacuum to 30 psig	Vacuum to 2 bar	PX6[*]5-30V30GI	DP3002-E, DP41-E, DP25B-E
Vacuum to 60 psig	Vacuum to 4.1 bar	PX6[*]5-30V60GI	DP3002-E, DP41-E, DP25B-E
0 to 15	0 to 1.0	PX6[*]5-015GI	DP3002-E, DP41-E, DP25B-E
0 to 30	0 to 2.1	PX6[*]5-030GI	DP3002-E, DP41-E, DP25B-E
0 to 60	0 to 4.1	PX6[*]5-060GI	DP3002-E, DP41-E, DP25B-E
0 to 100	0 to 6.9	PX6[*]5-100GI	DP3002-E, DP41-E, DP25B-E
0 to 150	0 to 10.3	PX6[*]5-150GI	DP3002-E, DP41-E, DP25B-E
0 to 200	0 to 13.8	PX6[*]5-200GI	DP3002-E, DP41-E, DP25B-E
0 to 300	0 to 20.7	PX6[*]5-300GI	DP3002-E, DP41-E, DP25B-E
0 to 500	0 to 34.5	PX6[*]5-500GI	DP3002-E, DP41-E, DP25B-E
0 to 1000	0 to 68.9	PX6[*]5-1KGI	DP3002-E, DP41-E, DP25B-E
0 to 2000	0 to 138	PX6[*]5-2KGI	DP3002-E, DP41-E, DP25B-E
0 to 3000	0 to 207	PX6[*]5-3KGI	DP3002-E, DP41-E, DP25B-E
0 to 5000	0 to 345	PX6[*]5-5KGI	DP3002-E, DP41-E, DP25B-E
0 to 7500	0 to 517	PX6[*]5-7.5KGI	DP3002-E, DP41-E, DP25B-E
0 to 10,000	0 to 689	PX6[*]5-10KGI	DP3002-E, DP41-E, DP25B-E
0 to 15,000	0 to 1034	PX6[*]5-15KGI†	DP3002-E, DP41-E, DP25B-E
0 to 20,000	0 to 1379	PX6[*]5-20KGI†	DP3002-E, DP41-E, DP25B-E

Comes complete with operator's manual.

† 15,000 and 20,000 psi models supplied with female AMINCO 1/8-18 UNF fitting.

[*] Insert "0" for cable style, "1" for connector style.

Ordering Examples: PX605-500G5I, cable-style transducer with a range of 0 to 500 psi.

PX615-500GI, connector-style transducer with a range of 0 to 500 psi.

PT06F8-4S, mating connector (sold separately).

** See omega.com/meters for compatible meters.

ACCESSORY

MODEL NO.	DESCRIPTION
PT06F8-4S	Mating connector for PX615 Series transducers

omega.co.uk[®]

Your One-Stop Source for Process Measurement and Control!

Freephone 0800 488 488 | International +44(0) 161 777 6622 | Fax +44(0) 161 777 6622 | Sales@omega.co.uk

www.omega.co.uk



UNITED STATES

www.omega.com

1-800-TC-OMEGA
Stamford, CT.

UNITED KINGDOM

www.omega.co.uk

Manchester, England
0800-488-488
+44-(0)161-777-6611

CANADA

www.omega.ca

Laval(Quebec)
1-800-TC-OMEGA

FRANCE

www.omega.fr

0800-466-342

GERMANY

www.omega.de

Deckenfronn, Germany
0800-8266342

BENELUX

www.omega.nl

0800-099-33-44



More than 100,000 Products Available!

• Temperature

Calibrators, Connectors, General Test and Measurement Instruments, Handheld Instruments for Temperature Measurement, Ice Point References, Indicating Labels, Crayons, Cements and Lacquers, Infrared Temperature Measurement Instruments, Recorders, Relative Humidity Measurement Instruments, PT100 Probes, PT100 Elements, Temperature & Process Meters, Timers and Counters, Temperature and Process Controllers and Power Switching Devices, Thermistor Elements, Probes and Assemblies, Thermocouples, Thermowells and Head and Well Assemblies, Transmitters, Thermocouple Wire, RTD Probes

• Flow and Level

Air Velocity Indicators, Doppler Flowmeters, Level Measurement, Magnetic Flowmeters, Mass Flowmeters, Pitot Tubes, Pumps, Rotameters, Turbine and Paddle Wheel Flowmeters, Ultrasonic Flowmeters, Valves, Variable Area Flowmeters, Vortex Shedding Flowmeters

• pH and Conductivity

Conductivity Instrumentation, Dissolved Oxygen Instrumentation, Environmental Instrumentation, pH Electrodes and Instruments, Water and Soil Analysis Instrumentation

• Data Acquisition

Communication Products and Converters, Data Acquisition and Analysis Software, Data Loggers Plug-in Cards, Signal Conditioners, USB, RS232, RS485, Ethernet and Parallel Port Data Acquisition Systems, Wireless Transmitters and Receivers

• Pressure, Strain and Force

Displacement Transducers, Dynamic Measurement Force Sensors, Instrumentation for Pressure and Strain Measurements, Load Cells, Pressure Gauges, Pressure Reference Section, Pressure Switches, Pressure Transducers, Proximity Transducers, Regulators, Pressure Transmitters, Strain Gauges, Torque Transducers, Valves

• Heaters

Band Heaters, Cartridge Heaters, Circulation Heaters, Comfort Heaters, Controllers, Meters and Switching Devices, Flexible Heaters, General Test and Measurement Instruments, Heater Hook-up Wire, Heating Cable Systems, Immersion Heaters, Process Air and Duct, Heaters, Radiant Heaters, Strip Heaters, Tubular Heaters