

INDUSTRIAL THIN-FILM TRANSDUCER WITH FLUSH DIAPHRAGM ALL STAINLESS STEEL

**100 to 5000 psi
7 to 345 bar
1 to 5 Vdc Output**

PX673 Series

- ✓ All Stainless Steel Construction
- ✓ NEMA 4X (IP65) Enclosure
- ✓ Excellent for Paper Mills and Printing Presses
- ✓ Thin-Film Reliability
- ✓ 100% Production Calibrated

The PX673 Series transducers use reliable thin-film technology combined with a flush stainless steel diaphragm to deliver a rugged industrial transducer for applications where an orifice type transducer would not be suitable.

SPECIFICATIONS

Excitation: 10 to 36 Vdc unregulated

Output: 1 to 5 Vdc

Linearity: ±0.4% BFSL

Zero Balance: ±1% FS

Hysteresis: ±0.2%

Repeatability: ±0.15%

Operating Temperature:

-29 to 82°C (-20 to 180°F)

Compensated Temperature:

-29 to 71°C (-20 to 160°F)

Thermal Effects:

Span: ±0.04% FS/°F

Zero: ±0.04% FS/°F

Proof Pressure:

100 to 2K psi = 200%

3K to 5K psi = 150% full scale

Burst Pressure:

100 to 2K psi = 800% full scale

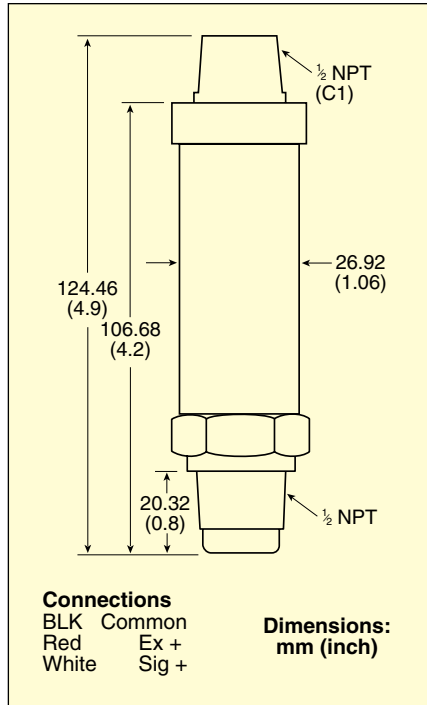
3K to 5K psi = 300% full scale

Vibration: <±0.1% FS effect for 20 g,

0 to 400 Hz in any axis

Shock: <0.1% effect for 20 g,

20 ms in any axis



PX673-100S5V,
shown actual size.



WETTED PARTS

Fitting: 316 SS

Diaphragm: 316Ti stainless steel

Pressure Connection: 1/2 NPT male

Electrical Conn: 1/2 NPT conduit thread

Cable: No. 24 AWG, 36" PVC shielded, vented UL approved

Weight: 284 g (10 oz) maximum

To Order			
RANGE		MODEL NO.	COMPATIBLE METERS*
0 to 100 psi	0 to 6.9 bar	PX673-100S5V	DP41-E, DP302-E, DP460-E
0 to 150 psi	0 to 10.3 bar	PX673-150S5V	DP41-E, DP302-E, DP460-E
0 to 200 psi	0 to 13.8 bar	PX673-200S5V	DP41-E, DP302-E, DP460-E
0 to 300 psi	0 to 20.7 bar	PX673-300S5V	DP41-E, DP302-E, DP460-E
0 to 500 psi	0 to 34.5 bar	PX673-500S5V	DP41-E, DP3002-E, DP460-E
0 to 750 psi	0 to 51.7 bar	PX673-750S5V	DP41-E, DP3002-E, DP460-E
0 to 1000 psi	0 to 68.9 bar	PX673-1KS5V	DP41-E, DP302-E, DP460-E
0 to 2000 psi	0 to 138 bar	PX673-2KS5V	DP41-E, DP302-E, DP460-E
0 to 3000 psi	0 to 207 bar	PX673-3KS5V	DP41-E, DP3002-E, DP460-E
0 to 5000 psi	0 to 345 bar	PX673-5KS5V	DP41-E, DP3002-E, DP460-E

Comes complete with operator's manual.

* See omega.com for compatible meters.

Ordering Example: PX673-3KS5V, 3000 psi sealed gage full scale rating and 1 to 5 Vdc output at full scale level.

omega.co.uk[®]

Your One-Stop Source for Process Measurement and Control!

Freephone 0800 488 488 | International +44(0) 161 777 6622 | Fax +44(0) 161 777 6622 | Sales@omega.co.uk

www.omega.co.uk



UNITED STATES

www.omega.com

1-800-TC-OMEGA
Stamford, CT.

CANADA

www.omega.ca

Laval(Quebec)
1-800-TC-OMEGA

GERMANY

www.omega.de

Deckenfronn, Germany
0800-8266342

UNITED KINGDOM

www.omega.co.uk

Manchester, England
0800-488-488
+44-(0)161-777-6611

FRANCE

www.omega.fr

0800-466-342

BENELUX

www.omega.nl

0800-099-33-44



More than 100,000 Products Available!

• Temperature

Calibrators, Connectors, General Test and Measurement Instruments, Handheld Instruments for Temperature Measurement, Ice Point References, Indicating Labels, Crayons, Cements and Lacquers, Infrared Temperature Measurement Instruments, Recorders, Relative Humidity Measurement Instruments, PT100 Probes, PT100 Elements, Temperature & Process Meters, Timers and Counters, Temperature and Process Controllers and Power Switching Devices, Thermistor Elements, Probes and Assemblies, Thermocouples, Thermowells and Head and Well Assemblies, Transmitters, Thermocouple Wire, RTD Probes

• Flow and Level

Air Velocity Indicators, Doppler Flowmeters, Level Measurement, Magnetic Flowmeters, Mass Flowmeters, Pitot Tubes, Pumps, Rotameters, Turbine and Paddle Wheel Flowmeters, Ultrasonic Flowmeters, Valves, Variable Area Flowmeters, Vortex Shedding Flowmeters

• pH and Conductivity

Conductivity Instrumentation, Dissolved Oxygen Instrumentation, Environmental Instrumentation, pH Electrodes and Instruments, Water and Soil Analysis Instrumentation

• Data Acquisition

Communication Products and Converters, Data Acquisition and Analysis Software, Data Loggers Plug-in Cards, Signal Conditioners, USB, RS232, RS485, Ethernet and Parallel Port Data Acquisition Systems, Wireless Transmitters and Receivers

• Pressure, Strain and Force

Displacement Transducers, Dynamic Measurement Force Sensors, Instrumentation for Pressure and Strain Measurements, Load Cells, Pressure Gauges, Pressure Reference Section, Pressure Switches, Pressure Transducers, Proximity Transducers, Regulators, Pressure Transmitters, Strain Gauges, Torque Transducers, Valves

• Heaters

Band Heaters, Cartridge Heaters, Circulation Heaters, Comfort Heaters, Controllers, Meters and Switching Devices, Flexible Heaters, General Test and Measurement Instruments, Heater Hook-up Wire, Heating Cable Systems, Immersion Heaters, Process Air and Duct, Heaters, Radiant Heaters, Strip Heaters, Tubular Heaters