

LOW-RANGE WET/WET INDUSTRIAL DIFFERENTIAL TRANSDUCER

PX82 Series

0-50 to 0-800 inH₂O

0-2 to 0-22 psi

0-125 to 0-1500 mbar

Differential Pressure

mV/V Output

0 to 5 Vdc Output

4 to 20 mA Output

1 psi = 27.68 inH₂O

1 bar = 14.5 psi

1 kg/cm² = 14.22 psi

1 atmosphere = 14.7 psi = 29.93

inHg = 760.2 mmHg = 1.014 bar

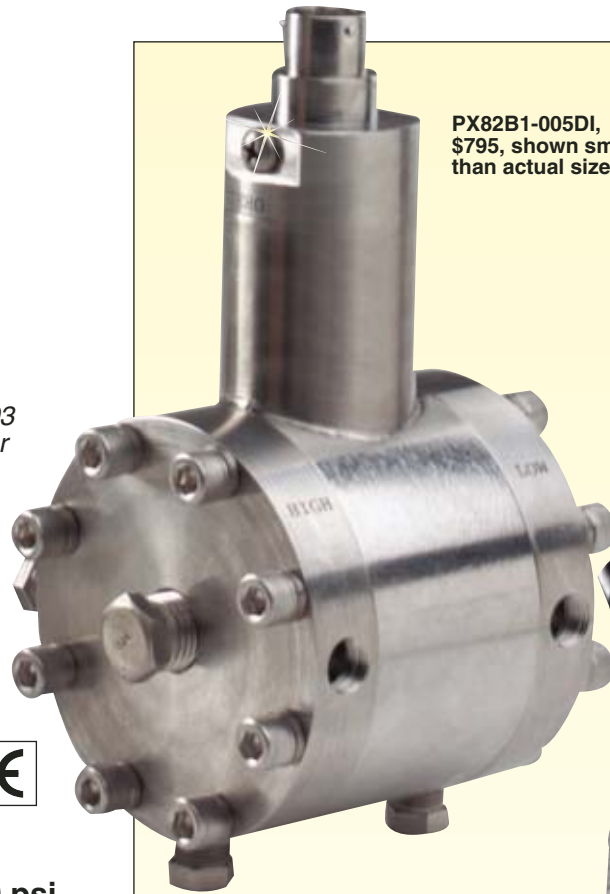
Starts at

\$795



- ✓ Inches of Water Differential at Line Pressure—Up to 1500 psi
- ✓ FM Approved Intrinsically Safe
- ✓ Stainless Steel/Inconel® Construction for Harsh Industrial Environments
- ✓ High Overpressure Capability and High Operating Temperature
- ✓ 5-Point Calibration Provided: 0%, 50%, 100%, 50%, 0%

OMEGA's PX82 Series wet/wet, differential pressure transducers can measure inches of water differential at line pressure up to 1500 psi. This high line pressure capacity, a high operating temperature, and excellent temperature compensation make the PX82 Series extremely accurate and reliable. An FM Approved Intrinsically Safe rating is standard. The rugged Inconel® diaphragms and stainless steel body give the PX82 Series high performance in harsh industrial environments. The PX82 Series is available with mV/V, 5 V, or 4 to 20 mA outputs.



PX82B1-005DI,
\$795, shown smaller
than actual size.



PX82B0-005DI,
\$795, shown smaller
than actual size.

LOW-RANGE WET/WET INDUSTRIAL DIFFERENTIAL TRANSDUCER

SPECIFICATIONS

mV/V Output

Electrical:

Excitation: 10 Vdc (15 V max)

Output: 1.5 mV/V nominal

Input Resistance: 5000 Ω min

Output Resistance: 5000 \pm 25 Ω

Zero Balance: \pm 2% FS

0.5 to 5.5 Vdc Output

Electrical:

Excitation: 10 to 35 Vdc

Output: 0.5 to 5.5 Vdc \pm 10%

Zero Balance: 0.5 V \pm 2% adj

4 to 20mA Output

Electrical:

Excitation: 10 to 40 Vdc

Output: 4 to 20 mA \pm 10% adj

Zero Balance: 4 mA +10% -2% adj

COMMON SPECIFICATIONS

Performance:

Accuracy: 0.25% linearity, hysteresis and repeatability combined

Agency Approvals: FM Intrinsically Safe IS/I.II.III/1/CDEFG standard

Environmental:

Operating Temp Range:

-34 to 107°C (-30 to 225°F)

Compensated Temp Range:

-1 to 54°C (30 to 130°F)

Pressure Effects:

Zero: <2%/1000 psi line pressure

Span: -2.45%/1000 psi line pressure

Thermal Effects:

Zero: \pm 0.50% FSO maximum over compensated range

Span: \pm 0.50% rdg maximum over compensated range

Pressure:

Line Operating Pressure:

1500 psi (100 bar)

Safe Overpressure:

1000 psi (70 bar) each side

Burst Pressure:

2500 psi (170 bar) minimum

Mechanical:

Wetted Parts:

17-4 PH stainless steel and Inconel 625

Pressure Port: 1/8"-27 NPTF thread

Electrical Connection:

Style 0: 1.2 m (4') cable

Style 1: PTIH-10-6P (or equal)

Style 6: micro DIN

Mating Connector:

Style 1: PT06F-10-6S

(not included)

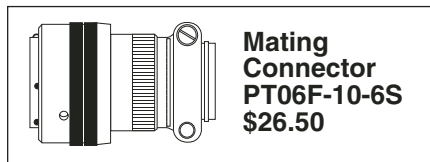
Style 6: Mating connector

(included)

Weight: 1.8 kg (4 lb)



books1.com
omega.com

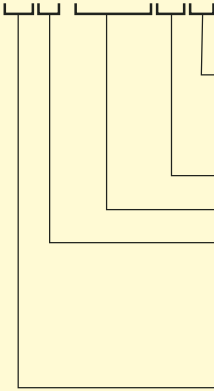


Mating Connector
PT06F-10-6S
\$26.50

Custom Configurations

MODEL NUMBER SPECIFICATION:

PX82B0-002DV



OUTPUT:

V = 1.5 mV/V nominal

5V = 0.5 to 5.5 Vdc

I = 4 to 20 mA

DIFFERENTIAL PRESSURE

RANGE IN psi

ELECTRICAL CONNECTION:

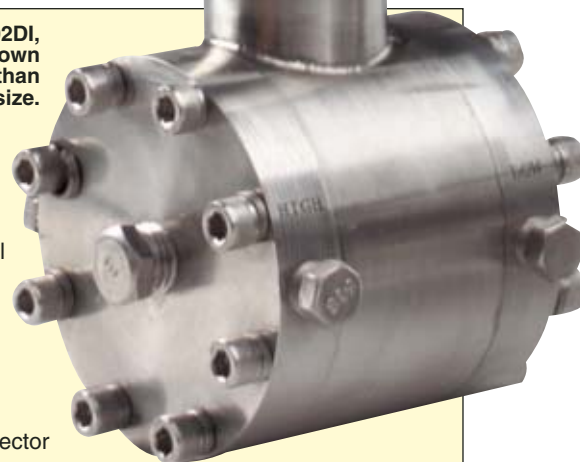
0 = 1.2 m (4') cable

1 = PTIH-10-6P connector or equivalent

6 = Micro DIN connector (no shunt)

PRESSURE PORT: B = Three 1/8"-27 NPTF

PX82B0-002DI,
\$950, shown
smaller than
actual size.



Extra cable length: add suffix "-(Length in feet)FT", \$2/ft over standard length 3 m (10') on 5 V and 4 to 20 mA output.

Ordering Examples: PX82D0-500WCIDI, 500 inH₂O pressure range with 4 to 20 mA output and 3 m (10') PVC cable, \$950.

PX82D0-010DV-50FT, 10 psi pressure range with mV/V output and 15.2 m (50') PVC cable \$795 + 92 = \$887.

PX82D1-200WCIDI, 200 inH₂O pressure range with 4 to 20 mA output and integral connector, \$950. PT06F-10-6S, mating connector (not included), \$26.50. PX82D1-800WCIDI-FM, 800 inH₂O pressure range 4 to 20 mA output and integral connector with FM Hazardous Location rating, \$950 + 150 = \$1100. PT06F-10-6S, mating connector (not included), \$26.50.

HOW TO ORDER PX82 SERIES LOW-RANGE WET/WET INDUSTRIAL DIFFERENTIAL TRANSDUCER WITH mV/V OUTPUT

PX82 Series
mV/V Output
0-50 inH₂O to 0-22 psi
(0-130 to 0-1500 mbar)
Differential Pressure

Starts at
\$795

- ✓ inH₂O Differential at Line Pressure—Up to 1500 psi
- ✓ Stainless Steel/Inconel® Construction for Harsh Industrial Environments
- ✓ High Overpressure Capability and High Operating Temperature
- ✓ 5-Point Calibration Provided: 0%, 50%, 100%, 50%, 0%

mV/V Output
Electrical:

Excitation: 10 Vdc (15 V max)

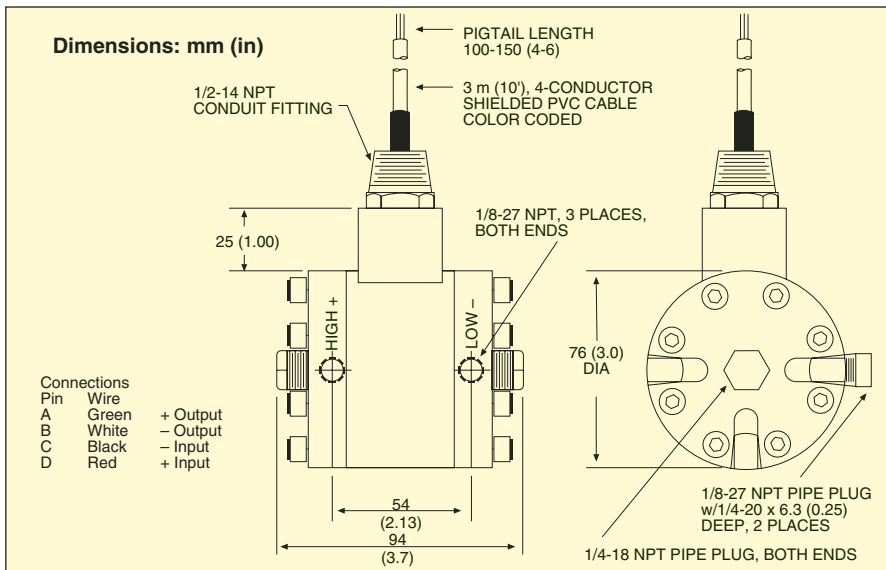
Output: 1.5 mV/V nominal

Input Resistance: 5000 Ω min

Output Resistance: 5000 ±25 Ω

Zero Balance: ±2% FS

PX82B1-005DV,
\$795, shown
smaller than
actual size.



MOST POPULAR MODELS HIGHLIGHTED!

To Order (Specify Model Number)

Models with mV/V Output and 1.2 m (4') Cable

RANGE	MODEL NO.	PRICE	COMPATIBLE METERS*
0 to 50 inH ₂ O 0 to 12.5 kPa	PX82B[*]-050WCDV	\$795	DP41-S, DP25B-S
0 to 100 inH ₂ O 0 to 24.9 kPa	PX82B[*]-100WCDV	795	DP41-S, DP25B-S
0 to 150 inH ₂ O 0 to 37.4 kPa	PX82B[*]-150WCDV	795	DP41-S, DP25B-S
0 to 200 inH ₂ O 0 to 49.8 kPa	PX82B[*]-200WCDV	795	DP41-S, DP25B-S
0 to 300 inH ₂ O 0 to 74.8 kPa	PX82B[*]-300WCDV	795	DP41-S, DP25B-S
0 to 500 inH ₂ O 0 to 125 kPa	PX82B[*]-500WCDV	795	DP41-S, DP25B-S
0 to 800 inH ₂ O 0 to 199 kPa	PX82B[*]-800WCDV	795	DP41-S, DP25B-S
0 to 2 psi 0 to 0.14 bar	PX82B[*]-002DV	795	DP41-S, DP25B-S
0 to 3 psi 0 to 0.20 bar	PX82B[*]-003DV	795	DP41-S, DP25B-S
0 to 4 psi 0 to 0.27 bar	PX82B[*]-004DV	795	DP41-S, DP25B-S
0 to 5 psi 0 to 0.34 bar	PX82B[*]-005DV	795	DP41-S, DP25B-S
0 to 6 psi 0 to 0.41 bar	PX82B[*]-006DV	795	DP41-S, DP25B-S
0 to 8 psi 0 to 0.55 bar	PX82B[*]-008DV	795	DP41-S, DP25B-S
0 to 10 psi 0 to 0.69 bar	PX82B[*]-010DV	795	DP41-S, DP25B-S
0 to 15 psi 0 to 1.0 bar	PX82B[*]-015DV	795	DP41-S, DP25B-S
0 to 18 psi 0 to 1.2 bar	PX82B[*]-018DV	795	DP41-S, DP25B-S
0 to 22 psi 0 to 1.5 bar	PX82B[*]-022DV	795	DP41-S, DP25B-S

Comes with 5-point calibration.

Metric ranges available – consult Engineering.

[*] Insert "0" for 3 m (10') cable, "1" for Bendix connector, or "6" for DIN connector.

* See section D for compatible meters.

To order extra cable length, add suffix "--(Length in feet)FT" to model number and \$2/ft beyond standard length of 3 m (10').

Ordering Examples: PX82B0-300WCDV, 300 inH₂O differential pressure transducers with 1.5 mV/V output and 1.2 m (4') of shielded cable, \$795. PX2B0-010DV-25FT, 10 psi differential pressure transducer with 1.5 mV/V output and 7.6 m (25') of shielded cable, \$795 + 42 = \$837.

ACCESSORY

MODEL NO.	PRICE	DESCRIPTION
ES-2070	\$210	Reference Book: Hazardous Materials Handbook

HOW TO ORDER PX82 SERIES LOW-RANGE WET/WET INDUSTRIAL DIFFERENTIAL TRANSMITTER WITH 0.5 TO 5.5 Vdc OUTPUT

PX82 Series
0.5 to 5.5 Vdc Output
0-50 inH₂O to 0-22 psi
(0-130 to 0-1500 mbar)
Differential Pressure

Starts at
\$950

- ✓ inH₂O Differential at Line Pressure—Up to 1500 psi
- ✓ FM Approved Intrinsically Safe
- ✓ Stainless Steel/Inconel® Construction for Harsh Industrial Environments
- ✓ High Overpressure Capability and High Operating Temperature
- ✓ 5-Point Calibration Provided: 0%, 50%, 100%, 50%, 0%

0.5 to 5.5 Vdc Output

Electrical:

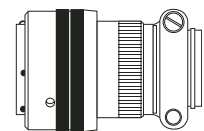
Excitation: 10 to 35 Vdc

Output: 0.5 to 5.5 Vdc ±10%

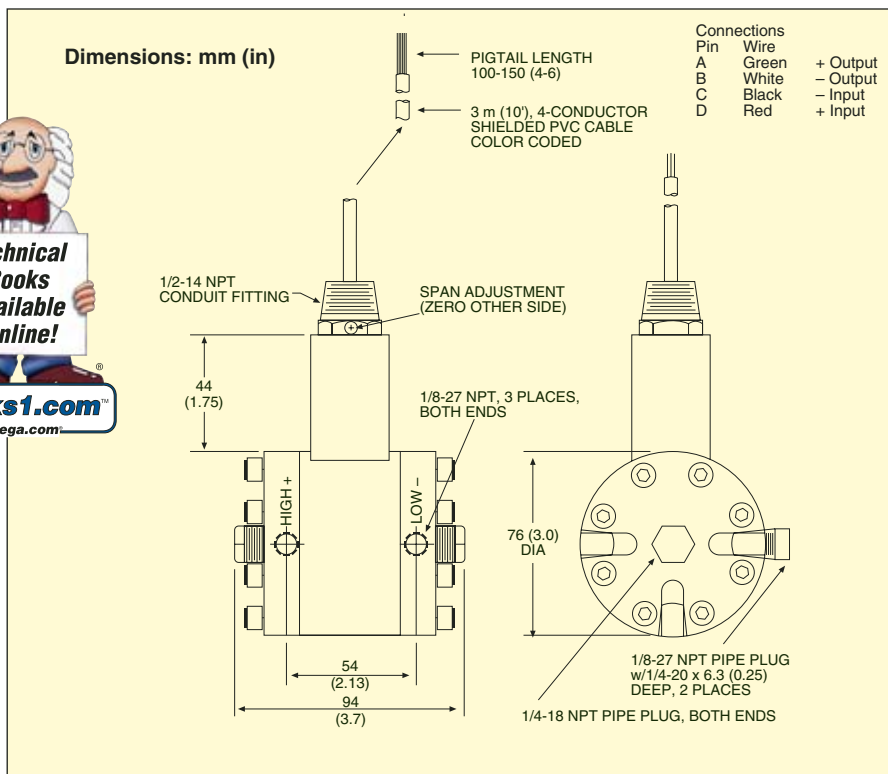
Zero Balance: 0.5 V ±2% adj

CONNECTIONS Volts

	PIN	Cable	DIN
+ Output	A	Green	2
- Output	B	White	3
- Input	C	Black	GRND
+ Input	D	Red	1



**Style 1 Mating Connector
PT06F-10-6S
\$26.50**



MOST POPULAR MODELS HIGHLIGHTED!

To Order (Specify Model Number)

Models with 5 V Output

RANGE	MODEL NO.	PRICE	COMPATIBLE METERS*	
0 to 50 inH ₂ O	0 to 12.5 kPa	PX82B[*]-050WCD5V	\$950	DP41-S, DP25B-S
0 to 100 inH ₂ O	0 to 24.9 kPa	PX82B[*]-100WCD5V	950	DP41-S, DP25B-S
0 to 150 inH ₂ O	0 to 37.4 kPa	PX82B[*]-150WCD5V	950	DP41-S, DP25B-S
0 to 200 inH ₂ O	0 to 49.8 kPa	PX82B[*]-200WCD5V	950	DP41-S, DP25B-S
0 to 300 inH ₂ O	0 to 74.8 kPa	PX82B[*]-300WCD5V	950	DP41-S, DP25B-S
0 to 500 inH ₂ O	0 to 125 kPa	PX82B[*]-500WCD5V	950	DP41-S, DP25B-S
0 to 800 inH ₂ O	0 to 199 kPa	PX82B[*]-800WCD5V	950	DP41-S, DP25B-S
0 to 2 psi	0 to 0.14 bar	PX82B[*]-002D5V	950	DP41-S, DP25B-S
0 to 3 psi	0 to 0.20 bar	PX82B[*]-003D5V	950	DP41-S, DP25B-S
0 to 4 psi	0 to 0.27 bar	PX82B[*]-004D5V	950	DP41-S, DP25B-S
0 to 5 psi	0 to 0.34 bar	PX82B[*]-005D5V	950	DP41-S, DP25B-S
0 to 6 psi	0 to 0.41 bar	PX82B[*]-006D5V	950	DP41-S, DP25B-S
0 to 8 psi	0 to 0.55 bar	PX82B[*]-007D5V	950	DP41-S, DP25B-S
0 to 10 psi	0 to 0.69 bar	PX82B[*]-010D5V	950	DP41-S, DP25B-S
0 to 15 psi	0 to 1.0 bar	PX82B[*]-015D5V	950	DP41-S, DP25B-S
0 to 18 psi	0 to 1.2 bar	PX82B[*]-018D5V	950	DP41-S, DP25B-S
0 to 22 psi	0 to 1.5 bar	PX82B[*]-022D5V	950	DP41-S, DP25B-S

Comes with 5-point calibration.

Metric ranges available – consult Engineering.

[*] Insert "0" for 3 m (10') cable, "1" for Bendix connector, or "6" for DIN connector.

* See section D for compatible meters.

Extra cable length: add suffix "-(Length in feet)FT", \$2/ft over standard 3 m (10') length.

Ordering Examples: **PX82B0-300WCD5V**, 300 inH₂O differential pressure transducer with 0.5 to 5.5 Vdc output and 3 m (10') shielded PVC cable, **\$950**. **PX82B0-010D5V-25FT**, 10 psi differential pressure transducer with 0.5 to 5.5 Vdc output and 8 m (25') shielded PVC cable, **\$950 + 30 = \$980**.

ACCESSORY

MODEL NO.	PRICE	DESCRIPTION
ES-2132	\$125	Reference Book: Hydraulic Design Handbook

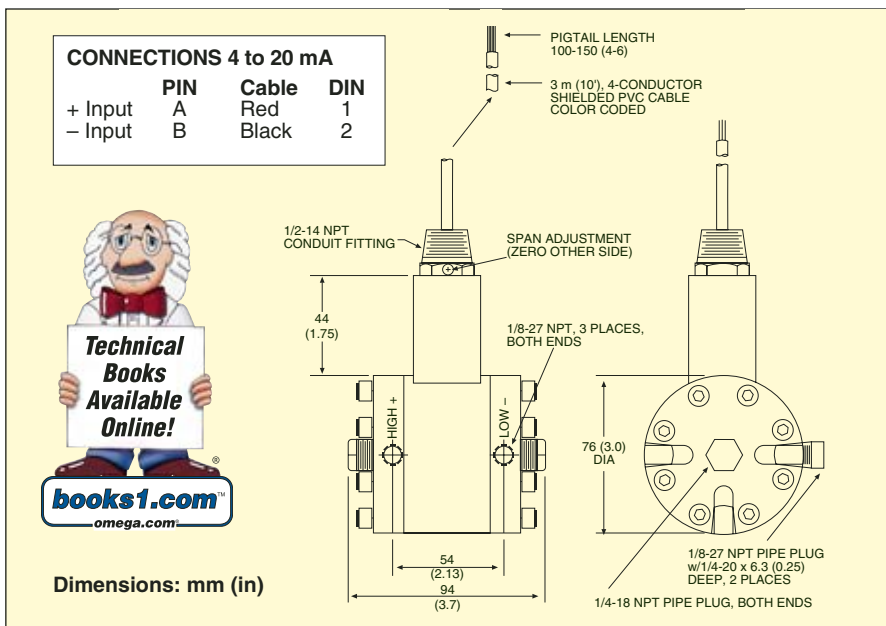
HOW TO ORDER PX82 SERIES LOW-RANGE WET/WET INDUSTRIAL DIFFERENTIAL TRANSMITTER WITH 4 TO 20 mA OUTPUT

PX82 Series
4 to 20 mA Output
0-50 inH₂O to 0-22 psi
(0-130 to 0-1500 mbar)
Differential Pressure

Starts at
\$950

- ✓ inH₂O Differential at Line Pressure—Up to 1500 psi
- ✓ FM Approved Intrinsically Safe
- ✓ Stainless Steel/Inconel® Construction for Harsh Industrial Environments
- ✓ High Overpressure Capability and High Operating Temperature
- ✓ 5-Point Calibration Provided: 0%, 50%, 100%, 50%, 0%

4 to 20 mA Output
Electrical:
Excitation: 10 to 40 Vdc
Output: 4 to 20 mA ±10% adj
Zero Balance: 4 mA +10% -2% adj



MOST POPULAR MODELS HIGHLIGHTED!

To Order (Specify Model Number)				
Models with 4 to 20 mA Output				
RANGE		MODEL NO.	PRICE	COMPATIBLE METERS*
0 to 50 inH ₂ O	0 to 12.5 kPa	PX82B[*]-050WCDI	\$950	DP41-S, DP25B-S
0 to 100 inH ₂ O	0 to 24.9 kPa	PX82B[*]-100WCDI	950	DP41-S, DP25B-S
0 to 150 inH ₂ O	0 to 37.4 kPa	PX82B[*]-150WCDI	950	DP41-S, DP25B-S
0 to 200 inH ₂ O	0 to 49.8 kPa	PX82B[*]-200WCDI	950	DP41-S, DP25B-S
0 to 300 inH ₂ O	0 to 74.8 kPa	PX82B[*]-300WCDI	950	DP41-S, DP25B-S
0 to 500 inH ₂ O	0 to 125 kPa	PX82B[*]-500WCDI	950	DP41-S, DP25B-S
0 to 800 inH ₂ O	0 to 199 kPa	PX82B[*]-800WCDI	950	DP41-S, DP25B-S
0 to 2 psi	0 to 0.14 bar	PX82B[*]-002DI	950	DP41-S, DP25B-S
0 to 3 psi	0 to 0.20 bar	PX82B[*]-003DI	950	DP41-S, DP25B-S
0 to 4 psi	0 to 0.27 bar	PX82B[*]-004DI	950	DP41-S, DP25B-S
0 to 5 psi	0 to 0.34 bar	PX82B[*]-005DI	950	DP41-S, DP25B-S
0 to 6 psi	0 to 0.41 bar	PX82B[*]-006DI	950	DP41-S, DP25B-S
0 to 8 psi	0 to 0.55 bar	PX82B[*]-008DI	950	DP41-S, DP25B-S
0 to 10 psi	0 to 0.69 bar	PX82B[*]-010DI	950	DP41-S, DP25B-S
0 to 15 psi	0 to 1.0 bar	PX82B[*]-015DI	950	DP41-S, DP25B-S
0 to 18 psi	0 to 1.2 bar	PX82B[*]-018DI	950	DP41-S, DP25B-S
0 to 22 psi	0 to 1.5 bar	PX82B[*]-022DI	950	DP41-S, DP25B-S

Comes with 5-point calibration. Metric ranges available – consult Engineering.
 [*] Insert “0” for 3 m (10’) cable, “1” for Bendix connector, or “6” for DIN connector.
 * See section D for compatible meters.
 For FM hazardous location models, add suffix “-FM” to model number and \$150.
 Extra cable length: Add suffix “-(Length in feet)FT” and \$2/ft beyond standard 3 m (10’) length.
Ordering Examples: PX82B0-300WCDI-25FT, 300 inH₂O differential pressure transmitter with 4 to 20 mA output and 7.6 m (25’) shielded PVC cable, \$950 + 30 = \$980.
 PX82B1-005DI-FM, 5 psi differential pressure transmitter with 4 to 20 mA output, FM hazardous location rating and Bendix connector, \$950 + 150 = \$1100.
 PT06F-10-6S, mating connector (not included), \$26.50.

MODEL NO.	PRICE	DESCRIPTION
CM-4422	\$40	Reference Book: Hydraulics and Pneumatics

omega.co.uk[®]

Your One-Stop Source for Process Measurement and Control!

Freephone 0800 488 488 | International +44(0) 161 777 6622 | Fax +44(0) 161 777 6622 | Sales@omega.co.uk

www.omega.co.uk



UNITED STATES

www.omega.com

1-800-TC-OMEGA
Stamford, CT.

CANADA

www.omega.ca

Laval(Quebec)
1-800-TC-OMEGA

GERMANY

www.omega.de

Deckenfronn, Germany
0800-8266342

UNITED KINGDOM

www.omega.co.uk

Manchester, England
0800-488-488
+44-(0)161-777-6611

FRANCE

www.omega.fr

0800-466-342

BENELUX

www.omega.nl

0800-099-33-44



More than 100,000 Products Available!

• Temperature

Calibrators, Connectors, General Test and Measurement Instruments, Handheld Instruments for Temperature Measurement, Ice Point References, Indicating Labels, Crayons, Cements and Lacquers, Infrared Temperature Measurement Instruments, Recorders, Relative Humidity Measurement Instruments, PT100 Probes, PT100 Elements, Temperature & Process Meters, Timers and Counters, Temperature and Process Controllers and Power Switching Devices, Thermistor Elements, Probes and Assemblies, Thermocouples, Thermowells and Head and Well Assemblies, Transmitters, Thermocouple Wire, RTD Probes

• Flow and Level

Air Velocity Indicators, Doppler Flowmeters, Level Measurement, Magnetic Flowmeters, Mass Flowmeters, Pitot Tubes, Pumps, Rotameters, Turbine and Paddle Wheel Flowmeters, Ultrasonic Flowmeters, Valves, Variable Area Flowmeters, Vortex Shedding Flowmeters

• pH and Conductivity

Conductivity Instrumentation, Dissolved Oxygen Instrumentation, Environmental Instrumentation, pH Electrodes and Instruments, Water and Soil Analysis Instrumentation

• Data Acquisition

Communication Products and Converters, Data Acquisition and Analysis Software, Data Loggers Plug-in Cards, Signal Conditioners, USB, RS232, RS485, Ethernet and Parallel Port Data Acquisition Systems, Wireless Transmitters and Receivers

• Pressure, Strain and Force

Displacement Transducers, Dynamic Measurement Force Sensors, Instrumentation for Pressure and Strain Measurements, Load Cells, Pressure Gauges, Pressure Reference Section, Pressure Switches, Pressure Transducers, Proximity Transducers, Regulators, Pressure Transmitters, Strain Gauges, Torque Transducers, Valves

• Heaters

Band Heaters, Cartridge Heaters, Circulation Heaters, Comfort Heaters, Controllers, Meters and Switching Devices, Flexible Heaters, General Test and Measurement Instruments, Heater Hook-up Wire, Heating Cable Systems, Immersion Heaters, Process Air and Duct, Heaters, Radiant Heaters, Strip Heaters, Tubular Heaters