

HEAVY-DUTY PRESSURE TRANSMITTER

WITH G 1/8 OR G 1/4 FITTINGS

PXM41 Series

4-20 mA or 0.5 to 5.5 Vdc Output

0-1 to 0-400 bar

1 bar = 14.5 psi
 1 kg/cm² = 14.22 psi
 1 atmosphere = 14.7 psi = 29.93 inHg = 760.2 mmHg = 1.014 bar

Starts at
£302



- ✓ 5-Point Calibration Provided
- ✓ Special MSHA Approved Model Available
- ✓ All Stainless Steel Body
- ✓ Heavy Duty Construction Harsh Environments
- ✓ Available in Gauge, Sealed Gauge and Absolute Pressure

OMEGA's PXM41 Series is a high accuracy, rugged, low cost, industrial pressure transducer, available with current or voltage outputs. Its all stainless steel construction makes it suitable for the harshest environments. The PXM41 is available in gauge, absolute or sealed models. Three metres of four conductor shielded cable is standard. Twist-lock style or Micro DIN connectors are also available.

SPECIFICATIONS

Voltage Output:

Excitation: 10-35 Vdc

Output: 0.5 to 5.5 Vdc; adj± 10%

Zero Balance: 0.5 V; adj ±10% FSO

Current Output:

Excitation: 10 -40 Vdc

Output: 4-20 mA (±10% adj)

Zero Balance: 4 mA +10% -2% adj

FM Hazardous Location: S/II/1/ABCD
 Optional-Must be specified at time of order

MSHA: Mine Safety and Health Administration - Optional-Must be specified at time of order



PXM41MC6-006BARGI, £322, shown smaller than actual size.



PXM41MC0-006BARG5V, £302, shown smaller than actual size.

MOST POPULAR MODELS HIGHLIGHTED!

To Order (Specify Model Number)			
Models with G 1/4 Female Pressure Connection, Cable or Connector			
RANGE (Bar)	MODEL NUMBER	PRICE	PRICE
Gauge Pressure		mA Output	5V Output
0 to 1	PXM41MD[*]-001BARG[**]	£355	£335
0 to 1.6	PXM41MD[*]-1.60BARG[**]	355	335
0 to 2.5	PXM41MD[*]-2.50BARG[**]	322	302
0 to 4	PXM41MD[*]-004BARG[**]	322	302
0 to 6	PXM41MD[*]-006BARG[**]	322	302
0 to 10	PXM41MD[*]-010BARG[**]	322	302
0 to 16	PXM41MD[*]-016BARG[**]	322	302
0 to 25	PXM41MD[*]-025BARG[**]	322	302
0 to 40	PXM41MD[*]-040BARG[**]	322	302
0 to 60	PXM41MD[*]-060BARG[**]	322	302
0 to 100	PXM41MD[*]-100BARG[**]	322	302
0 to 160	PXM41MD[*]-160BARG[**]	322	302
0 to 250	PXM41MD[*]-250BARG[**]	322	302
0 to 400	PXM41MD[*]-400BARG[**]	322	302

[*] insert "0" for 3 m Cable, "6" for micro DIN connector or "1" for PTIH-10-6P twist lock connector.

insert "I" for 4 to 20 mA or "5V" for 0.5 to 5.5 Vdc output.
 See page 291 for compatible meters.

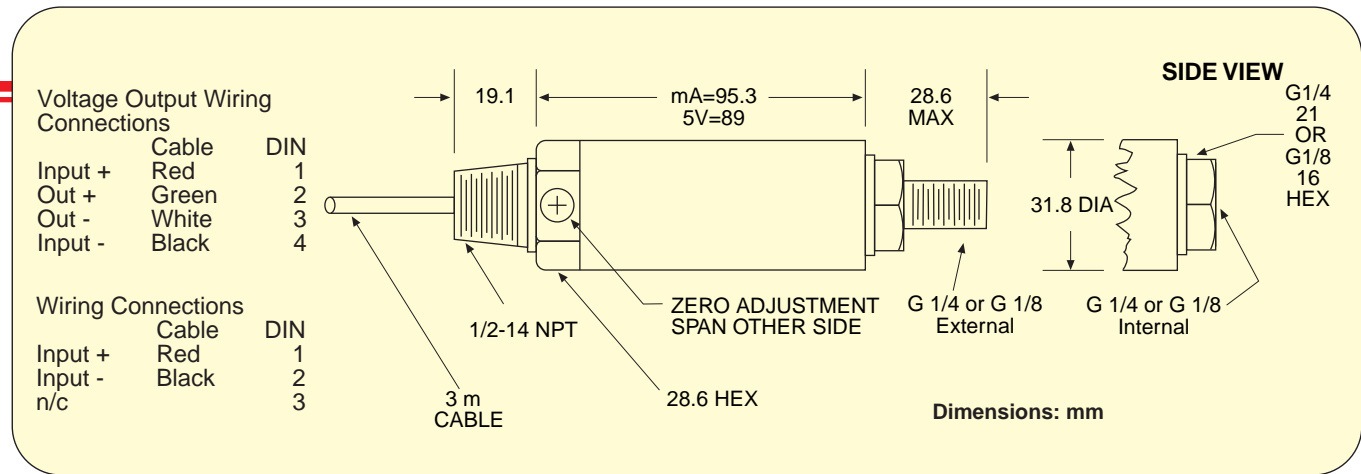
[**]

To order sealed gauge pressure models, replace "G" in model number with "S".
 To order absolute pressure models replace "G" in model number with "A".

Ordering Examples: PXM41MD6-025BARG5V, 25 bar gauge pressure transducer with G 1/4 internal thread, micro DIN, and 0.5 to 5.5 Vdc output, £302.

PXM41MD0-1.60BARAI, 1.6 bar absolute pressure transducer with G 1/4 internal thread, 3 metre cable, and 4 to 20 mA output, £355.

HEAVY DUTY INDUSTRIAL TRANSDUCER



COMMON SPECIFICATIONS

Operational Temp Range:
-47 to 121°C

Compensated Temp Range:
16 to 71°C

Thermal Effects:
Span: 0.0054% of Rdg/°C
Zero: 0.009% of FSO/°C

Proof Pressure:
150% of rated pressure

Burst Pressure:
300% of rated pressure

Proof Pressure:
150% of rated pressure

Burst Pressure:

300% of rated pressure

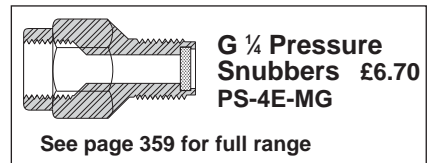
Wetted Parts: 17-4 PH Stainless Steel

Pressure Port: G ¼ Male (std) or Female, G ½ Male or Female

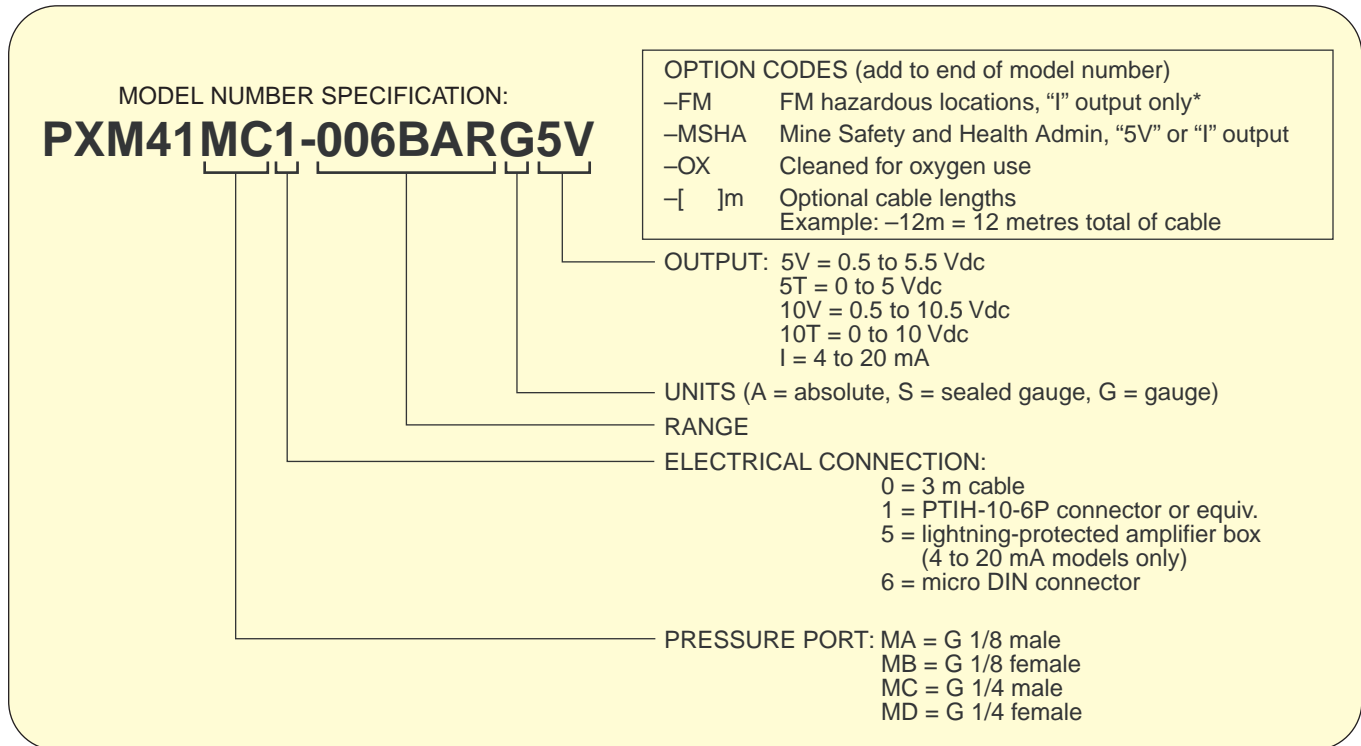
Electrical Connection:
3 m 4-conductor cable, Micro Din connector or PT1M-10-TP connector

FM Intrinsically Safe:
IS/I.II.III/1/CDEFG - Standard

Accuracy: 0.25% FS Linearity and Hysteresis Combined



CUSTOM CONFIGURATIONS



Ordering Examples: PXM41MC1-006BARG5V, 6 bar gauge pressure transmitter with G ¼ external thread, PTIH-10-6P connector, and 0.5 to 5.5 Vdc output, £302. PT06F-10-6S, mating connector (not included), £17.50. PXM41MC0-060BARS1, 60 bar sealed gauge pressure transmitter with G ¼ external thread, 3 m cable, and 4 to 20 mA output, £322. PXM41MB6-01.6BARA5V, 1.6 bar absolute pressure transmitter with G ¼ internal thread, a micro DIN connector, and 0.5 to 5.5 Vdc output, £335. Mating connector included.



UNITED STATES

www.omega.com

1-800-TC-OMEGA

Stamford, CT.

CANADA

www.omega.ca

Laval(Quebec)

1-800-TC-OMEGA

GERMANY

www.omega.de

Deckenpfronn, Germany

0800-8266342

UNITED KINGDOM

www.omega.co.uk

Manchester, England

0800-488-488

FRANCE

www.omega.fr

088-466-342

CZECH REPUBLIC

www.omegaeng.cz

Karviná, Czech Republic

596-311-899

BENELUX

www.omega.nl

0800-099-33-44



More than 100,000 Products Available!

• Temperature

Calibrators, Connectors, General Test and Measurement Instruments, Handheld Instruments for Temperature Measurement, Ice Point References, Indicating Labels, Crayons, Cements and Lacquers, Infrared Temperature Measurement Instruments, Recorders, Relative Humidity Measurement Instruments, PT100 Probes, PT100 Elements, Temperature & Process Meters, Timers and Counters, Temperature and Process Controllers and Power Switching Devices, Thermistor Elements, Probes and Assemblies, Thermocouples, Thermowells and Head and Well Assemblies, Transmitters, Thermocouple Wire, RTD Probes

• Flow and Level

Air Velocity Indicators, Doppler Flowmeters, Level Measurement, Magnetic Flowmeters, Mass Flowmeters, Pitot Tubes, Pumps, Rotameters, Turbine and Paddle Wheel Flowmeters, Ultrasonic Flowmeters, Valves, Variable Area Flowmeters, Vortex Shedding Flowmeters

• pH and Conductivity

Conductivity Instrumentation, Dissolved Oxygen Instrumentation, Environmental Instrumentation, pH Electrodes and Instruments, Water and Soil Analysis Instrumentation

• Data Acquisition

Auto-Dialers and Alarm Monitoring Systems, Communication Products and Converters, Data Acquisition and Analysis Software, Data Loggers Plug-in Cards, Signal Conditioners, USB, RS232, RS485 and Parallel Port Data Acquisition Systems, Wireless Transmitters and Receivers

• Pressure, Strain and Force

Displacement Transducers, Dynamic Measurement Force Sensors, Instrumentation for Pressure and Strain Measurements, Load Cells, Pressure Gauges, Pressure Reference Section, Pressure Switches, Pressure Transducers, Proximity Transducers, Regulators, Pressure Transmitters, Strain Gauges, Torque Transducers, Valves

• Heaters

Band Heaters, Cartridge Heaters, Circulation Heaters, Comfort Heaters, Controllers, Meters and Switching Devices, Flexible Heaters, General Test and Measurement Instruments, Heater Hook-up Wire, Heating Cable Systems, Immersion Heaters, Process Air and Duct, Heaters, Radiant Heaters, Strip Heaters, Tubular Heaters