

HIGH-PRESSURE FLUSH DIAPHRAGM TRANSMITTER

PXM44 Series 4 to 20 mA Output 0-40 to 0-250 bar

1 bar = 14.5 psi
1 kg/cm² = 14.22 psi
1 Atmosphere = 14.7 psi = 29.93 in-Hg = 760.2 mm-Hg = 1.014 bar

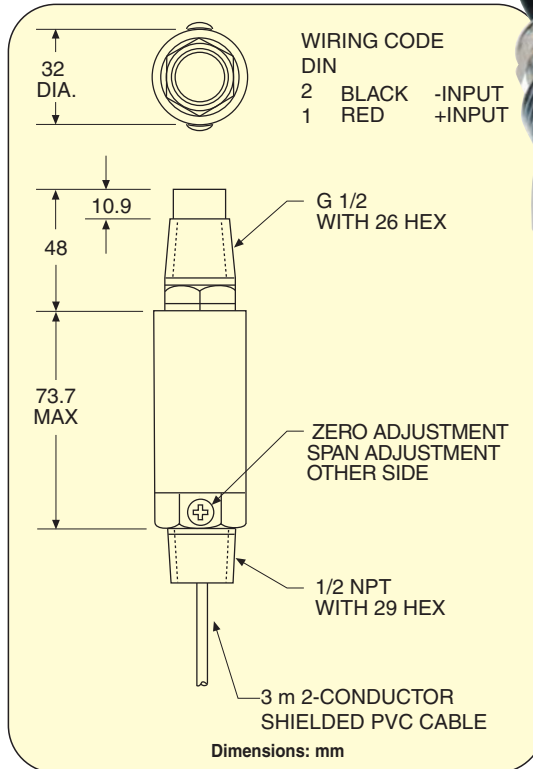
All Ranges
£356



- ✓ Stainless Steel Construction
- ✓ Food Processing or Industrial Applications
- ✓ High Pressure Flush Diaphragm for Measurement of Difficult Fluids
- ✓ 3 m Cable with Conduit Connection for Installation in Harsh Environments
- ✓ Heavy Duty Cable Exit
- ✓ 4 to 20 mA Output for Noise Free Transmission

SPECIFICATIONS

Excitation: 10 to 40 Vdc
Output: 4-20 mA ±10% adj
Zero Balance: 4 mA +10% -2% adj
Accuracy: 0.5% Linearity, Hysteresis, and Repeatability Combined
Operational Temp Range: -46 to +121°C
Compensated Temp Range: 16 to 71°C
Thermal Effects:
Span: 0.0054% of R_{dg}/°C
Zero: 0.009% of FSO/°C
Proof Pressure: 150% of range
Burst Pressure: 300% of range
Wetted Parts: 17-4 PH with 316 Stainless Steel Diaphragm
Pressure Port: G 1/2 Male
Electrical Connection: 3m 2-conductor shielded PVC cable with 1/2 -14 NPT fitting



PXM44ME1-060BARGI, £356, shown smaller than actual size.

MOST POPULAR MODELS HIGHLIGHTED!

To Order (Specify Model Number)

Models with G 1/2 Female Pressure Connection, 3 m Cable, and 4 to 20 mA Output

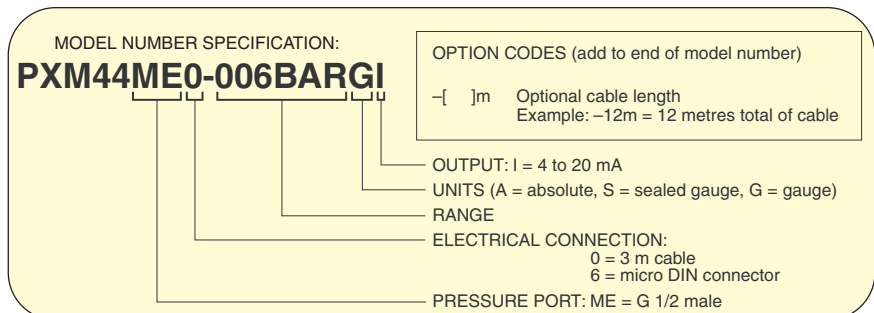
RANGE (bar)	MODEL NUMBER	PRICE	COMPATIBLE METERS*
Gauge Pressure			
0 to 40	PXM44ME0-040BARGI	£356	DP41-E, DP25B-E, DP24-E
0 to 60	PXM44ME0-060BARGI	356	DP41-E, DP25B-E, DP24-E
0 to 100	PXM44ME0-100BARGI	356	DP41-E, DP25B-E, DP24-E
0 to 160	PXM44ME0-160BARGI	356	DP41-E, DP25B-E, DP24-E
0 to 250	PXM44ME0-250BARGI	356	DP41-E, DP25B-E, DP24-E

* See page 291 for compatible meters.

To order sealed gauge replace "G" in model number with an "S".

To order absolute replace "G" in model number with an "A".

Ordering Examples: PXM44ME0-040BARAI, 40 bar absolute pressure transducer with stainless steel wetted parts, 3 m cable and 4 to 20 mA output, £356. PXM44ME0-160BARGI, 500 psi gauge pressure transducer with stainless steel wetted parts, 3 m cable and 4 to 20 mA output, £356.



PRESSURE, STRAIN AND FORCE



UNITED STATES

www.omega.com

1-800-TC-OMEGA

Stamford, CT.

CANADA

www.omega.ca

Laval(Quebec)

1-800-TC-OMEGA

GERMANY

www.omega.de

Deckenpfronn, Germany

0800-8266342

UNITED KINGDOM

www.omega.co.uk

Manchester, England

0800-488-488

FRANCE

www.omega.fr

088-466-342

CZECH REPUBLIC

www.omegaeng.cz

Karviná, Czech Republic

596-311-899

BENELUX

www.omega.nl

0800-099-33-44



More than 100,000 Products Available!

• Temperature

Calibrators, Connectors, General Test and Measurement Instruments, Handheld Instruments for Temperature Measurement, Ice Point References, Indicating Labels, Crayons, Cements and Lacquers, Infrared Temperature Measurement Instruments, Recorders, Relative Humidity Measurement Instruments, PT100 Probes, PT100 Elements, Temperature & Process Meters, Timers and Counters, Temperature and Process Controllers and Power Switching Devices, Thermistor Elements, Probes and Assemblies, Thermocouples, Thermowells and Head and Well Assemblies, Transmitters, Thermocouple Wire, RTD Probes

• Flow and Level

Air Velocity Indicators, Doppler Flowmeters, Level Measurement, Magnetic Flowmeters, Mass Flowmeters, Pitot Tubes, Pumps, Rotameters, Turbine and Paddle Wheel Flowmeters, Ultrasonic Flowmeters, Valves, Variable Area Flowmeters, Vortex Shedding Flowmeters

• pH and Conductivity

Conductivity Instrumentation, Dissolved Oxygen Instrumentation, Environmental Instrumentation, pH Electrodes and Instruments, Water and Soil Analysis Instrumentation

• Data Acquisition

Auto-Dialers and Alarm Monitoring Systems, Communication Products and Converters, Data Acquisition and Analysis Software, Data Loggers Plug-in Cards, Signal Conditioners, USB, RS232, RS485 and Parallel Port Data Acquisition Systems, Wireless Transmitters and Receivers

• Pressure, Strain and Force

Displacement Transducers, Dynamic Measurement Force Sensors, Instrumentation for Pressure and Strain Measurements, Load Cells, Pressure Gauges, Pressure Reference Section, Pressure Switches, Pressure Transducers, Proximity Transducers, Regulators, Pressure Transmitters, Strain Gauges, Torque Transducers, Valves

• Heaters

Band Heaters, Cartridge Heaters, Circulation Heaters, Comfort Heaters, Controllers, Meters and Switching Devices, Flexible Heaters, General Test and Measurement Instruments, Heater Hook-up Wire, Heating Cable Systems, Immersion Heaters, Process Air and Duct, Heaters, Radiant Heaters, Strip Heaters, Tubular Heaters