

INDUSTRIAL WET/WET DIFFERENTIAL PRESSURE TRANSDUCER WITH HIGH OVER PRESSURE CAPACITY

PXM80 Series
0-2 bar to 0-350 bar
Differential Pressure
mV/V Output
0-5 Vdc Output
4-20 mA Output

PXM80
\$895
 Model Shown



1 bar = 14.5 psi
 1 kg/cm² = 14.22 psi
 1 Atmosphere = 14.7 psi = 29.93 in-Hg = 760.2 mm-Hg = 1.014 bar

- ✓ Low Differential Pressure at High Line Pressure - 100 bar Standard Optional up to 345 bar
- ✓ FM Intrinsically Safe
- ✓ All Stainless Steel Construction
- ✓ Sealed for Harsh Environments
- ✓ High Overpressure

OMEGA's PXM80 Series is a heavy duty, wet/wet, differential pressure transducer available in ranges from 0-2 to 0-350 bar. The Series is available with either of three outputs; mV/V, amplified 0-5 Vdc or 4-20 mA. These are suitable for interface with most PLCs and computer based control systems. An extremely high over pressure capacity of 100 bar or 150% of capacity (whichever is greater) make the PXM80 an extremely durable transducer. FM approved intrinsically safe rating is standard. The all stainless steel construction, high over pressure protection and FM approval, make the PXM80 Series differential pressure transducers a high reliability transducer in harsh industrial environments.



Model PXM80MD1-002BARDV
 Shown Smaller Than Actual Size

Model PXM80MB1-100BARDV
 Shown Smaller Than Actual Size

Model PXM80MD0-002BARDI
 Shown Smaller Than Actual Size

METRIC SPEC
 PRESSURE TRANSDUCERS

PXM80 SERIES DIFFERENTIAL PRESSURE TRANSDUCERS

Style 5 Sealed Metal Terminal Box

SPECIFICATIONS

mV/V OUTPUT

Electrical:

Excitation: 10 Vdc (15 V max)

Output: 2 mV/V nominal

Bridge Resistance: 350 Ω

Zero Balance: ±1% FSO

5Vdc OUTPUT

Electrical:

Excitation: 24-32 Vdc

Output: 0-5 Vdc ±10% adj.

Zero Balance: 0 V ±10% adj

4-20 mA OUTPUT

Electrical:

Excitation: 10-40 Vdc

Output: 4-20 mA ±10% adj

Max Loop Resistance:

(Input Voltage-12) x 50

Zero Balance: 4 mA, +10% -2%

COMMON SPECIFICATIONS

Performance:

Linearity:

±0.25% FSO

Hysteresis:

±0.10% FSO

Repeatability: ±0.1% FSO

Environmental:

Agency Approvals:

FM Intrinsically Safe
IS/I.II.III/1/CDEFG - Standard

Operational Temp Range:

mV/V: -73 to +163°C (-100 to +325°F)
Amplified: -46 to +107°C (-50 to +225°F)

Compensated Temp Range:

mV/V: +17 to +71°C (60 to +160°F)

Thermal Effects:

Zero: 0.009% FSO/°C

Zero: 0.013% FSO/°C (4-20 mA)

Span: 0.009% Rdg/°C

Pressure:

Line Pressure: 100 bar or 150% of rated pressure, whichever is greater

Burst Pressure: 414 bar minimum

Wetted Parts:

17-4 PH Stainless Steel

Pressure Port:

G ¼ <70 bar

G ½ ≥70 bar

Electrical Termination:

Style 0 = 3 m cable

Style 1 = PTIH-10-6P (or Equiv)

Style 5 = Metal Terminal Box

Style 6 = micro DIN

Mating Connector: Style 1

PT06F-10-6S (not included)

Style 6: Mating Connector Included

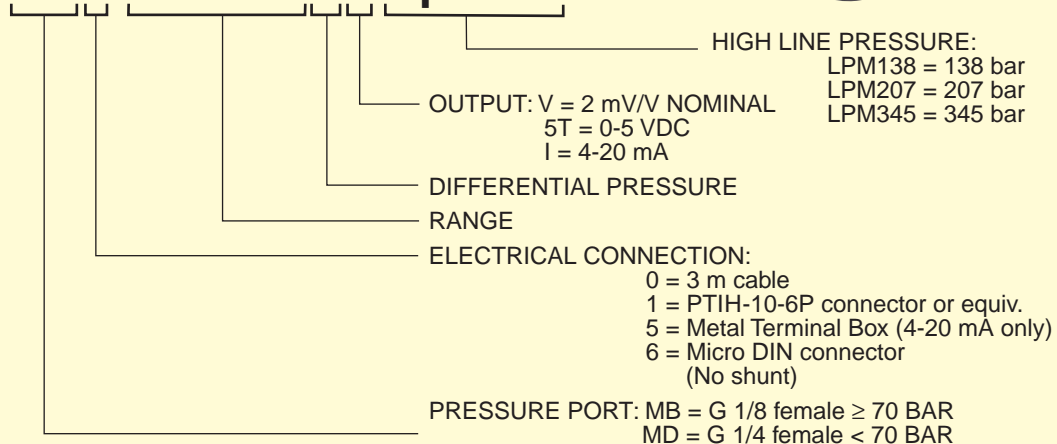
Model PXM80MD5-002BARDI
Shown Smaller Than Actual Size



Custom Configurations

-MODEL NUMBER SPECIFICATION:

PXM80MB0-100BARDV-options



To order extra cable on Cable Style models, add suffix “-(total length in metres)M” add \$6.50/m over the standard 3 m length.

Ordering Examples:

1.) PXM80MB6-100BARDV is a 100 bar range model with mV/V output, G 1/8 pressure connection and a micro DIN connector, \$895.

2.) PXM80MD0-002BARDV-10M is a 2 bar range model with mV/V output, G 1/4 pressure connection and a 10 m cable, \$950 + (7 x 6.50) = \$995.50.

3.) PXM80MD1-20BARDV is a 20 bar range model with mV/V output, G 1/4 pressure connection and an integral connector, \$895. Mating Connector (not included) PT06F-10-6S, \$26.50.

HOW TO ORDER PXM80 SERIES WET/WET DIFFERENTIAL PRESSURE TRANSDUCERS WITH MV/V OUTPUT

PXM80 Series
mV/V Output
0-2 bar to 0-350 bar
Differential Pressure

PXM80
\$895

BASIC mV UNIT

- ✓ Low Differential Pressure at High Line Pressure - 100 bar Standard Optional up to 345 bar
- ✓ FM Intrinsically Safe
- ✓ All Stainless Steel Construction
- ✓ Sealed for Harsh Environments
- ✓ High Overpressure

SPECIFICATIONS

mV/V OUTPUT

Electrical:

Excitation: 10 Vdc (15 V max)

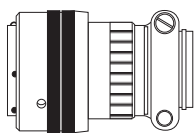
Output: 2 mV/V nominal

Bridge Resistance: 350 Ω

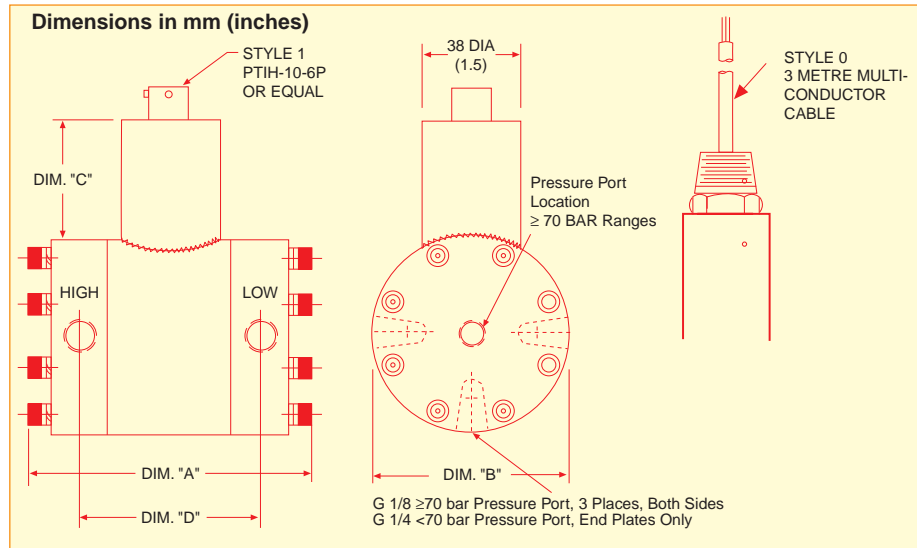
Zero Balance: ±1% FSO

CONNECTIONS mV/V

	PIN	Cable	DIN
+Output	A	Green	2
-Output	B	White	3
-Input	C	Black	GRND
+input	D	Red	1
Shunt	E	Blue	
Shunt	F	Orange	



Style 1 Mating Connector
PT06F-10-6S,
\$26.50



Dimensions in mm (inches)

Capacity	A	B	C	D
<70 bar	111 (4.38)	76 (3.0)	49 (1.94)	75 (2.94)
≥70 bar	76 (3.0) + Fitting	51 (2.0)	54 (2.13)	N/A

To Order (Specify Model Number)

Models with mV/V Output - Specify Electrical Termination

RANGE (bar)	MODEL NO.	PRICE	COMPATIBLE METERS†
Differential Pressure			
0 to 2	PXM80MD[*]-002BARDV	\$950	DP41-S, DP25B-S
0 to 3.50	PXM80MD[*]-3.50BARDV	895	DP41-S, DP25B-S
0 to 7	PXM80MD[*]-007BARDV	895	DP41-S, DP25B-S
0 to 14	PXM80MD[*]-014BARDV	895	DP41-S, DP25B-S
0 to 20	PXM80MD[*]-020BARDV	895	DP41-S, DP25B-S
0 to 35	PXM80MD[*]-035BARDV	895	DP41-S, DP25B-S
0 to 50	PXM80MD[*]-050BARDV	895	DP41-S, DP25B-S
0 to 70	PXM80MB[*]-070BARDV	895	DP41-S, DP25B-S
0 to 100	PXM80MB[*]-100BARDV	895	DP41-S, DP25B-S
0 to 140	PXM80MB[*]-140BARDV	895	DP41-S, DP25B-S
0 to 175	PXM80MB[*]-175BARDV	895	DP41-S, DP25B-S
0 to 200	PXM80MB[*]-200BARDV	895	DP41-S, DP25B-S
0 to 350	PXM80MB[*]-350BARDV	895	DP41-S, DP25B-S

* Insert "0" for 3 m Cable, "1" for Twist Lock Connector, or "6" for micro DIN Connector
† See Section D for Compatible Meters

To order extra cable on Cable Style models, add suffix "-(total length in metres)M" add \$6.50/m over the standard 3 m length.

Ordering Examples:

- 1.) PXM80MD0-002BARDV-10M is a 2 bar range differential transducer with a G1/4 female pressure fittings, 10 m cable and a mV/V output, \$950 + (7 x 6.5) = **\$995.50**.
- 2.) PXM80MB1-100BARDV is a 100 bar range differential transducer with G1/8 pressure fittings, a twist lock electrical connector and a mV/V output, **\$895**. Mating Connector (not included) PT06F-10-6S, **\$26.50**.

HOW TO ORDER PXM80 SERIES WET/WET DIFFERENTIAL PRESSURE TRANSMITTERS WITH 0-5 VDC OUTPUT

PXM80 Series 0-5 Vdc Output 0-2 bar to 0-350 bar Differential Pressure

- ✓ Low Differential Pressure at High Line Pressure - 100 bar Standard Optional up to 345 bar
- ✓ FM Intrinsically Safe
- ✓ All Stainless Steel Construction
- ✓ Sealed for Harsh Environments
- ✓ High Overpressure

5 Vdc OUTPUT

Electrical:

Excitation: 24-32 Vdc

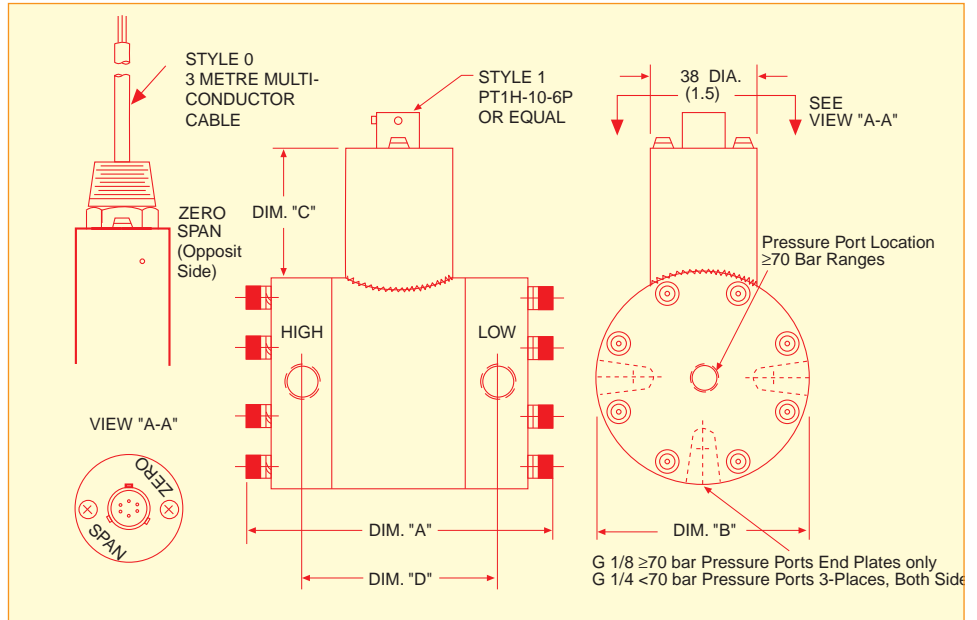
Output: 0-5 Vdc $\pm 10\%$ adj.

Zero Balance: 0 V $\pm 10\%$ adj

CONNECTIONS 5Vdc

	PIN	Cable	DIN
+Output	A	Green	2
-Output	B	White	3
-Input	C	Black	GRND
+input	D	Red	1
Shunt	E	Blue	
Shunt	F	Orange	

PXM80
\$1045
BASIC 5V UNIT



Dimensions in mm (inches)

Capacity	A	B	C	D
< 70 bar	111 (4.38)	76 (3.0)	62 (2.44)	75 (2.94)
≥ 70 bar	76 (3.0) + Fitting	51 (2.0)	76 (3.0)	N/A

To Order (Specify Model Number)

Models with 0-5V Output - Specify Electrical Termination

RANGE (bar)	MODEL NO.	PRICE	COMPATIBLE METERS†
Differential Pressure			
0 to 2	PXM80MD[*]-002BARD5T	\$1100	DP41-E, DP25B-E, DP24-E
0 to 3.50	PXM80MD[*]-3.50BARD5T	1100	DP41-E, DP25B-E, DP24-E
0 to 7	PXM80MD[*]-007BARD5T	1045	DP41-E, DP25B-E, DP24-E
0 to 14	PXM80MD[*]-014BARD5T	1045	DP41-E, DP25B-E, DP24-E
0 to 20	PXM80MD[*]-020BARD5T	1045	DP41-E, DP25B-E, DP24-E
0 to 35	PXM80MD[*]-035BARD5T	1045	DP41-E, DP25B-E, DP24-E
0 to 50	PXM80MD[*]-050BARD5T	1045	DP41-E, DP25B-E, DP24-E
0 to 70	PXM80MB[*]-070BARD5T	1045	DP41-E, DP25B-E, DP24-E
0 to 100	PXM80MB[*]-100BARD5T	1045	DP41-E, DP25B-E, DP24-E
0 to 140	PXM80MB[*]-140BARD5T	1045	DP41-E, DP25B-E, DP24-E
0 to 175	PXM80MB[*]-175BARD5T	1045	DP41-E, DP25B-E, DP24-E
0 to 200	PXM80MB[*]-200BARD5T	1045	DP41-E, DP25B-E, DP24-E
0 to 350	PXM80MB[*]-350BARD5T	1045	DP41-E, DP25B-E, DP24-E

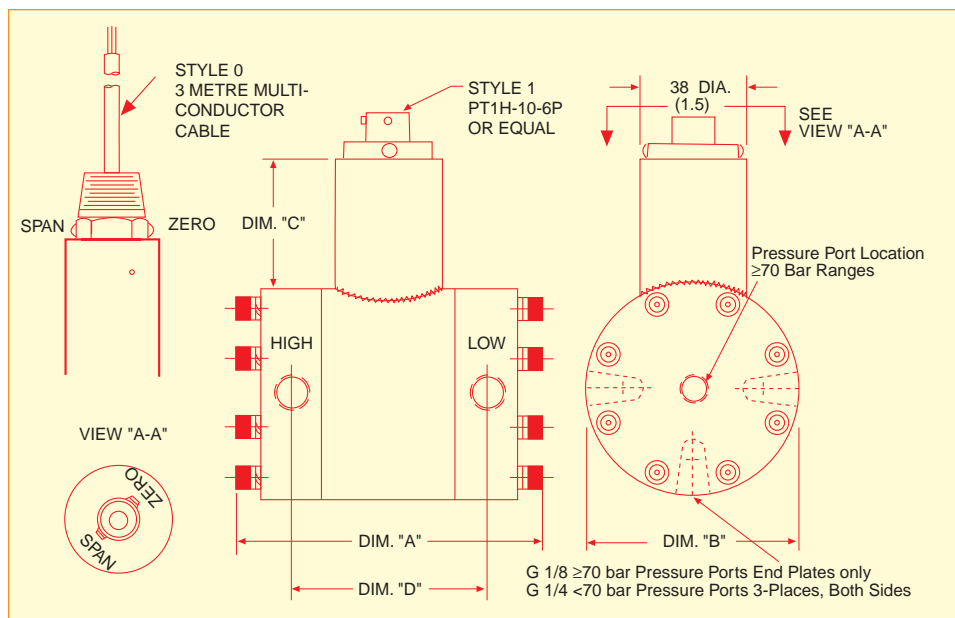
* Insert "0" for 3 m Cable, "1" for Twist Lock Connector, or "6" for micro DIN Connector
† See Section D for Compatible Meters

To order extra cable on Cable Style models, add suffix "-(total length in metres)M" and add \$6.50/m over the standard 3 m length.

Ordering Examples: 1.) PXM80MD0-002BARD5T-10M is a 2 bar range differential transducer with a G1/4 female pressure fittings, 10 m cable and a 0-5 Vdc output, \$1100 + (7 x 6.50) = \$1145.50.

2.) PXM80MB1-100BARD5T is a 100 bar range differential transducer with G1/8 pressure fittings, a Twist lock style electrical connector and a 0-5 Vdc output, \$1045. Mating Connector (not included) PT06F-10-6S, \$26.50.

HOW TO ORDER PXM80 SERIES WET/WET DIFFERENTIAL PRESSURE TRANSMITTERS 4-20 MA OUTPUT



Dimensions in mm (inches)

Capacity	A	B	D
<70 bar	111 (4.38)	75 (2.94)	76 (3.0)
≥70 bar	76 (3.0) + Fitting	51 (2.0)	N/A

PXM80 Series 4-20 mA Output 0-2 bar to 0-350 bar Differential Pressure

- ✓ Low Differential Pressure at High Line Pressure - 100 bar Standard Optional up to 345 bar
- ✓ FM Intrinsically Safe
- ✓ All Stainless Steel Construction
- ✓ Sealed for Harsh Environments
- ✓ High Overpressure

4-20 mA OUTPUT

Electrical:

Excitation: 10-40 Vdc

Output: 4-20 mA ±10% adj

Max Loop Resistance:
(Input Voltage-12) x 50

Zero Balance: 4 mA, +10% -2%

To Order (Specify Model Number)

Models with 4-20 mA Output - Specify Electrical Termination

RANGE (bar)	MODEL NO.	PRICE	COMPATIBLE METERS†
Differential Pressure			
0 to 2	PXM80MD[*]-002BARDI	\$1100	DP41-E, DP25B-E, DP24-E
0 to 3.50	PXM80MD[*]-3.50BARDI	1100	DP41-E, DP25B-E, DP24-E
0 to 7	PXM80MD[*]-007BARDI	1045	DP41-E, DP25B-E, DP24-E
0 to 14	PXM80MD[*]-014BARDI	1045	DP41-E, DP25B-E, DP24-E
0 to 20	PXM80MD[*]-020BARDI	1045	DP41-E, DP25B-E, DP24-E
0 to 35	PXM80MD[*]-035BARDI	1045	DP41-E, DP25B-E, DP24-E
0 to 50	PXM80MD[*]-050BARDI	1045	DP41-E, DP25B-E, DP24-E
0 to 70	PXM80MB[*]-070BARDI	1045	DP41-E, DP25B-E, DP24-E
0 to 100	PXM80MB[*]-100BARDI	1045	DP41-E, DP25B-E, DP24-E
0 to 140	PXM80MB[*]-140BARDI	1045	DP41-E, DP25B-E, DP24-E
0 to 175	PXM80MB[*]-175BARDI	1045	DP41-E, DP25B-E, DP24-E
0 to 200	PXM80MB[*]-200BARDI	1045	DP41-E, DP25B-E, DP24-E
0 to 350	PXM80MB[*]-350BARDI	1045	DP41-E, DP25B-E, DP24-E

* Insert "0" for 3 m Cable, "1" for Twist Lock Connector, "5" for Metal Terminal Box or "6" for micro DIN Connector

† See Section D for Compatible Meters

To order extra cable on Cable Style models, add suffix "-(total length in metres)M" add \$6.50/m over the standard 3 m length.

Ordering Examples: 1.) PXM80MD0-002BARDI-10M is a 2 bar range differential transducer with a G1/4 female pressure fittings, 10 m cable and a 4-20 mA output, \$1045 + 7 x 6.50 = \$1145.50. 2.) PXM80MB1-100BARDI is a 100 bar range differential transducer with G1/8 pressure fittings, a Twist lock style electrical connector and a 4-20 mA output, \$1045. Mating Connector (not included) PT06F-10-6S, \$26.50.

CONNECTIONS 4-20 mA

	PIN	Cable	DIN
+ Input	A	Red	1
- Input	B	Black	2



Style 1 Mating Connector
PT06F-10-6S,
\$26.50

omega.co.uk[®]

Your One-Stop Source for Process Measurement and Control!

Freephone 0800 488 488 | International +44(0) 161 777 6622 | Fax +44(0) 161 777 6622 | Sales@omega.co.uk

www.omega.co.uk



UNITED STATES

www.omega.com

1-800-TC-OMEGA
Stamford, CT.

UNITED KINGDOM

www.omega.co.uk

Manchester, England
0800-488-488
+44-(0)161-777-6611

CANADA

www.omega.ca

Laval(Quebec)
1-800-TC-OMEGA

FRANCE

www.omega.fr

0800-466-342

GERMANY

www.omega.de

Deckenfronn, Germany
0800-8266342

BENELUX

www.omega.nl

0800-099-33-44



More than 100,000 Products Available!

• Temperature

Calibrators, Connectors, General Test and Measurement Instruments, Handheld Instruments for Temperature Measurement, Ice Point References, Indicating Labels, Crayons, Cements and Lacquers, Infrared Temperature Measurement Instruments, Recorders, Relative Humidity Measurement Instruments, PT100 Probes, PT100 Elements, Temperature & Process Meters, Timers and Counters, Temperature and Process Controllers and Power Switching Devices, Thermistor Elements, Probes and Assemblies, Thermocouples, Thermowells and Head and Well Assemblies, Transmitters, Thermocouple Wire, RTD Probes

• Flow and Level

Air Velocity Indicators, Doppler Flowmeters, Level Measurement, Magnetic Flowmeters, Mass Flowmeters, Pitot Tubes, Pumps, Rotameters, Turbine and Paddle Wheel Flowmeters, Ultrasonic Flowmeters, Valves, Variable Area Flowmeters, Vortex Shedding Flowmeters

• pH and Conductivity

Conductivity Instrumentation, Dissolved Oxygen Instrumentation, Environmental Instrumentation, pH Electrodes and Instruments, Water and Soil Analysis Instrumentation

• Data Acquisition

Communication Products and Converters, Data Acquisition and Analysis Software, Data Loggers Plug-in Cards, Signal Conditioners, USB, RS232, RS485, Ethernet and Parallel Port Data Acquisition Systems, Wireless Transmitters and Receivers

• Pressure, Strain and Force

Displacement Transducers, Dynamic Measurement Force Sensors, Instrumentation for Pressure and Strain Measurements, Load Cells, Pressure Gauges, Pressure Reference Section, Pressure Switches, Pressure Transducers, Proximity Transducers, Regulators, Pressure Transmitters, Strain Gauges, Torque Transducers, Valves

• Heaters

Band Heaters, Cartridge Heaters, Circulation Heaters, Comfort Heaters, Controllers, Meters and Switching Devices, Flexible Heaters, General Test and Measurement Instruments, Heater Hook-up Wire, Heating Cable Systems, Immersion Heaters, Process Air and Duct, Heaters, Radiant Heaters, Strip Heaters, Tubular Heaters