

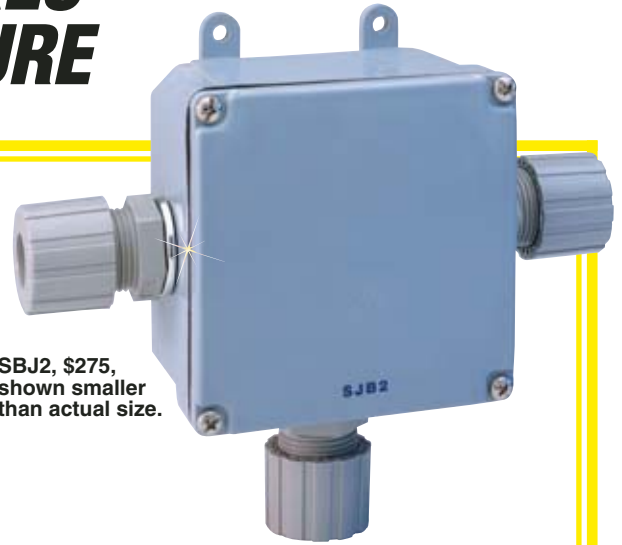
SUMMING JUNCTION BOXES NEMA 4X (IP66) ENCLOSURE

SBJ Series

Summing Junction Boxes for 2, 3, or 4 Load Cells

1 Newton = 0.2248 lb
1 daNewton = 10 Newtons
1 lb = 454 g
1 t = 1000 kg = 2204 lb

Starts at
\$275



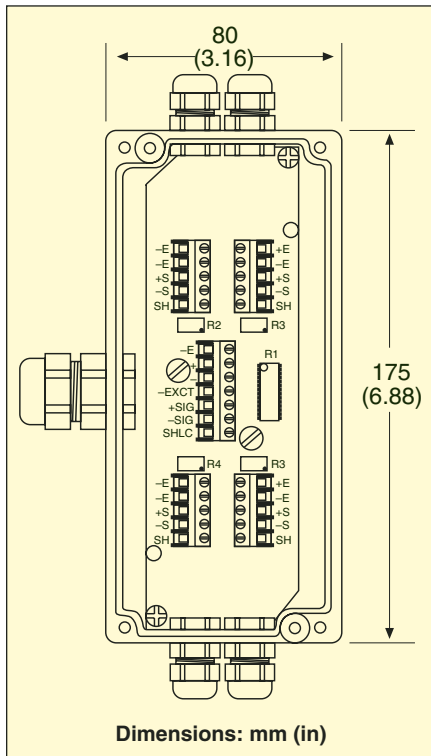
SBJ2, \$275, shown smaller than actual size.



SBJ4, \$315, shown smaller than actual size.

- ✓ NEMA 4X (IP66) Enclosure
- ✓ Heavy-Duty Case for Industrial Applications
- ✓ Models for 2, 3, or 4 Load Cell Installations

The SBJ Series summing junction box electronically sums the outputs of bridge-type load cells to form a single output equal to the sum of the loads on each load cell.



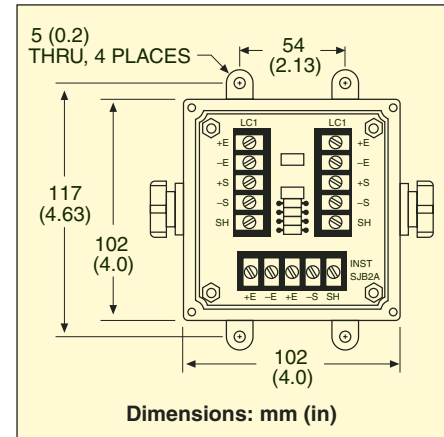
Potentiometers in series with the bridge excitation are provided to match the outputs of the load cell. It is commonly used in industrial scale, bin, tank, hopper, and platform applications. The load cell should be the same capacity as the summing junction box and have output interchangeability of better than 3%.

SPECIFICATIONS

Case: NEMA 4X (IP66)

Feedthroughs: Compression type for wire up to 6.35 mm (0.25") diameter

Span: ±3% adjustment



MOST POPULAR MODELS HIGHLIGHTED!

To Order (Specify Model Number)

CAPACITY	MODEL NO.	PRICE	DESCRIPTION
2	SBJ2	\$275	Sums 2 load cells
3 or 4	SBJ4	315	Sums up to 4 load cells

Ordering Examples: SBJ2, NEMA 4X (IP66) summing junction box for 2 load cells, \$275. SBJ4, NEMA 4X (IP66) summing junction box for up to 4 load cells, \$315.

ACCESSORY

MODEL NO.	PRICE	DESCRIPTION
OP-17	\$15	Reference Book: Measure for Measure

omega.co.uk[®]

Your One-Stop Source for Process Measurement and Control!

Freephone 0800 488 488 | International +44(0) 161 777 6622 | Fax +44(0) 161 777 6622 | Sales@omega.co.uk

www.omega.co.uk



UNITED STATES

www.omega.com

1-800-TC-OMEGA
Stamford, CT.

CANADA

www.omega.ca

Laval(Quebec)
1-800-TC-OMEGA

GERMANY

www.omega.de

Deckenfronn, Germany
0800-8266342

UNITED KINGDOM

www.omega.co.uk

Manchester, England
0800-488-488
+44-(0)161-777-6611

FRANCE

www.omega.fr

0800-466-342

BENELUX

www.omega.nl

0800-099-33-44



More than 100,000 Products Available!

• Temperature

Calibrators, Connectors, General Test and Measurement Instruments, Handheld Instruments for Temperature Measurement, Ice Point References, Indicating Labels, Crayons, Cements and Lacquers, Infrared Temperature Measurement Instruments, Recorders, Relative Humidity Measurement Instruments, PT100 Probes, PT100 Elements, Temperature & Process Meters, Timers and Counters, Temperature and Process Controllers and Power Switching Devices, Thermistor Elements, Probes and Assemblies, Thermocouples, Thermowells and Head and Well Assemblies, Transmitters, Thermocouple Wire, RTD Probes

• Flow and Level

Air Velocity Indicators, Doppler Flowmeters, Level Measurement, Magnetic Flowmeters, Mass Flowmeters, Pitot Tubes, Pumps, Rotameters, Turbine and Paddle Wheel Flowmeters, Ultrasonic Flowmeters, Valves, Variable Area Flowmeters, Vortex Shedding Flowmeters

• pH and Conductivity

Conductivity Instrumentation, Dissolved Oxygen Instrumentation, Environmental Instrumentation, pH Electrodes and Instruments, Water and Soil Analysis Instrumentation

• Data Acquisition

Communication Products and Converters, Data Acquisition and Analysis Software, Data Loggers Plug-in Cards, Signal Conditioners, USB, RS232, RS485, Ethernet and Parallel Port Data Acquisition Systems, Wireless Transmitters and Receivers

• Pressure, Strain and Force

Displacement Transducers, Dynamic Measurement Force Sensors, Instrumentation for Pressure and Strain Measurements, Load Cells, Pressure Gauges, Pressure Reference Section, Pressure Switches, Pressure Transducers, Proximity Transducers, Regulators, Pressure Transmitters, Strain Gauges, Torque Transducers, Valves

• Heaters

Band Heaters, Cartridge Heaters, Circulation Heaters, Comfort Heaters, Controllers, Meters and Switching Devices, Flexible Heaters, General Test and Measurement Instruments, Heater Hook-up Wire, Heating Cable Systems, Immersion Heaters, Process Air and Duct, Heaters, Radiant Heaters, Strip Heaters, Tubular Heaters