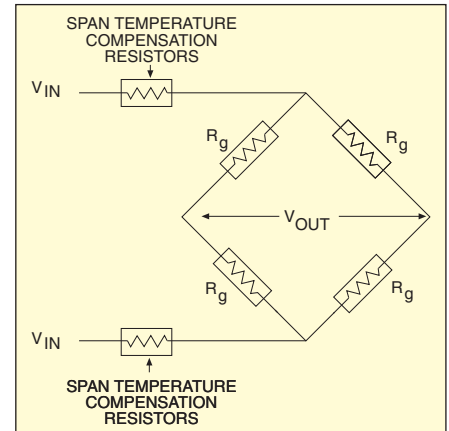


SPAN TEMPERATURE-COMPENSATION RESISTOR

SGN-2/20-E
Starts at
\$19
Pkg of 5

SPECIFICATIONS

Foil Measuring Grid:
Nickel foil 5 microns thick
Carrier: Polyimide
Substrate Thickness: 20 microns
Cover Thickness: 25 microns
Tolerance in Ω : $\pm 1 \Omega$
Temp Coefficient of Resistance:
0.6%/°C (0.34%/°F)
Temperature Range: 0 to 100°C (32 to 212°F)



MOST POPULAR MODELS HIGHLIGHTED!

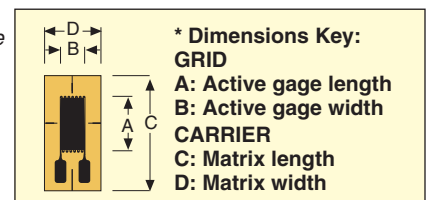
To Order (Specify Model Number)

TEMPERATURE COMPENSATION RESISTORS ENCAPSULATED	MODEL NO.	PRICE PER PKG OF 5	NOMINAL RESISTANCE (Ω)	DIMENSIONS mm (in)*			
				GRID		CARRIER	
				A	B	C	D
 Typical resistor pattern.	SGN-2/20-E	\$19	20	1.9 (0.075)	3 (0.118)	4.8 (0.189)	4 (0.157)
	SGN-2/25-E	19	25	1.9 (0.075)	3 (0.118)	4.8 (0.189)	4 (0.157)
	SGN-2/30-E	19	30	1.9 (0.075)	3 (0.118)	4.8 (0.189)	4 (0.157)
	SGN-3/10-E	19	10	3.2 (0.126)	3.2 (0.126)	8.6 (0.339)	5.2 (0.205)
	SGN-3/12-E	\$19	12	3.2 (0.126)	3.2 (0.126)	8.6 (0.339)	5.2 (0.205)
	SGN-3/34-E	19	34	3 (0.118)	3.2 (0.126)	7.3 (0.287)	4.8 (0.189)
	SGN-3/36-E	19	36	3 (0.118)	3.2 (0.126)	7.3 (0.287)	4.8 (0.189)
	SGN-4/14-E	19	14	4 (0.157)	3.2 (0.126)	8.8 (0.346)	4.8 (0.189)
	SGN-4/16-E	\$19	16	4 (0.157)	3.2 (0.126)	8.8 (0.346)	4.8 (0.189)
	SGN-4/20-E	19	20	4 (0.157)	3.2 (0.126)	8.8 (0.346)	4.8 (0.189)
	SGN-4/24-E	19	24	4 (0.157)	3.2 (0.126)	8.8 (0.346)	4.8 (0.189)
	SGN-4/28-E	19	28	4 (0.157)	3.2 (0.126)	8.8 (0.346)	4.8 (0.189)
	SGN-4/30-E	\$19	30	4 (0.157)	3.2 (0.126)	8.8 (0.346)	4.8 (0.189)
	SGN-4/32-E	19	32	4 (0.157)	3.2 (0.126)	8.8 (0.346)	4.8 (0.189)
	SGN-4/48-E	19	48	4 (0.157)	3.2 (0.126)	8.8 (0.346)	4.8 (0.189)
SGN-4/60-E	19	60	4 (0.157)	3.2 (0.126)	8.8 (0.346)	4.8 (0.189)	

DISCOUNT SCHEDULE

1 to 10 pkgsNet
11 to 24 pkgs5%
25 to 49 pkgs10%
50 and up and OEMConsult Factory

Note: For strain gage accessories see pages 59 to 61.
Ordering Example: SGN-4/28-E, 28 Ω nominal-resistance span temperature-compensation resistor, \$19.


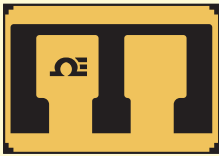


SPAN TEMPERATURE-COMPENSATION, BRIDGE-BALANCING, AND ZERO TEMPERATURE-COMPENSATION RESISTORS

SPECIFICATIONS	RES-C	RES-N
Foil Measuring Grid	Constantan foil 5 microns thick	Nickel foil 5 microns thick
Carrier	Polyimide	Polyimide
Substrate Thickness	20 microns	20 microns
Tolerance in Ω	$\pm 1 \Omega$	$\pm 1 \Omega$
Temp Coefficient of Resistance	—	0.6%/°C (0.34%/°F)
Temperature Range	-75 to 200°C (-100 to 392°F)	0 to 100°C (32 to 212°F)

MOST POPULAR MODELS HIGHLIGHTED!

To Order (Specify Model Number)

TEMPERATURE-COMPENSATED RESISTORS OPEN FACE	MODEL NO.	PRICE PER PKG OF 5	NOMINAL RESISTANCE (Ω)	DIMENSIONS mm (in)*			
				GRID		CARRIER	
				A	B	C	D
 <p>Typical resistor pattern.</p>	SGN-2/20-PN	\$16	20	1.9 (0.075)	3 (0.118)	4.8 (0.189)	4 (0.157)
	SGN-2/25-PN	16	25	1.9 (0.075)	3 (0.118)	4.8 (0.189)	4 (0.157)
	SGN-2/30-PN	16	30	1.9 (0.075)	3 (0.118)	4.8 (0.189)	4 (0.157)
	SGN-3/10-PN	16	10	3.2 (0.126)	3.2 (0.126)	8.6 (0.339)	5.2 (0.205)
	SGN-3/12-PN	\$16	12	3.2 (0.126)	3.2 (0.126)	8.6 (0.339)	5.2 (0.205)
	SGN-3/34-PN	16	34	3 (0.118)	3.2 (0.126)	7.3 (0.287)	4.8 (0.189)
	SGN-3/36-PN	16	36	3 (0.118)	3.2 (0.126)	7.3 (0.287)	4.8 (0.189)
	SGN-4/14-PN	16	16	4 (0.157)	3.2 (0.126)	8.8 (0.346)	4.8 (0.189)
	SGN-4/16-PN	\$16	16	4 (0.157)	3.2 (0.126)	8.8 (0.346)	4.8 (0.189)
	SGN-4/20-PN	16	20	4 (0.157)	3.2 (0.126)	8.8 (0.346)	4.8 (0.189)
	SGN-4/24-PN	16	24	4 (0.157)	3.2 (0.126)	8.8 (0.346)	4.8 (0.189)
	SGN-4/28-PN	16	28	4 (0.157)	3.2 (0.126)	8.8 (0.346)	4.8 (0.189)
	SGN-4/30-PN	\$16	30	4 (0.157)	3.2 (0.126)	8.8 (0.346)	4.8 (0.189)
	SGN-4/32-PN	16	32	4 (0.157)	3.2 (0.126)	8.8 (0.346)	4.8 (0.189)
	SGN-4/48-PN	16	48	4 (0.157)	3.2 (0.126)	8.8 (0.346)	4.8 (0.189)
SGN-4/60-PN	16	60	4 (0.157)	3.2 (0.126)	8.8 (0.346)	4.8 (0.189)	
BRIDGE-BALANCING AND ZERO TEMPERATURE-COMPENSATION RESISTORS							
	RES-2C	\$10	2	3.4 (0.134)	6.3 (0.248)	4.6 (0.181)	6.7 (0.264)
	RES-5C	10	5	3.4 (0.134)	6.3 (0.248)	4.6 (0.181)	6.7 (0.264)
	RES-2N	10	2	3.4 (0.134)	6.3 (0.248)	4.6 (0.181)	6.7 (0.264)
	RES-5N	10	5	3.4 (0.134)	6.3 (0.248)	4.6 (0.181)	6.7 (0.264)

DISCOUNT SCHEDULE

1 to 10 pkgs	Net
11 to 24 pkgs5%
25 to 49 pkgs10%
50 and up and OEM . . .	Consult Factory

* For dimensions key, see page 64. **Note:** For strain gage accessories see pages 59 to 61.

Ordering Example: SGN-4/28-PN, 28 Ω nominal-resistance span temperature-compensation resistor, \$16.

omega.co.uk[®]

Your One-Stop Source for Process Measurement and Control!

Freephone 0800 488 488 | International +44(0) 161 777 6622 | Fax +44(0) 161 777 6622 | Sales@omega.co.uk

www.omega.co.uk



UNITED STATES

www.omega.com

1-800-TC-OMEGA
Stamford, CT.

UNITED KINGDOM

www.omega.co.uk

Manchester, England
0800-488-488
+44-(0)161-777-6611

CANADA

www.omega.ca

Laval(Quebec)
1-800-TC-OMEGA

FRANCE

www.omega.fr

0800-466-342

GERMANY

www.omega.de

Deckenfronn, Germany
0800-8266342

BENELUX

www.omega.nl

0800-099-33-44



More than 100,000 Products Available!

• Temperature

Calibrators, Connectors, General Test and Measurement Instruments, Handheld Instruments for Temperature Measurement, Ice Point References, Indicating Labels, Crayons, Cements and Lacquers, Infrared Temperature Measurement Instruments, Recorders, Relative Humidity Measurement Instruments, PT100 Probes, PT100 Elements, Temperature & Process Meters, Timers and Counters, Temperature and Process Controllers and Power Switching Devices, Thermistor Elements, Probes and Assemblies, Thermocouples, Thermowells and Head and Well Assemblies, Transmitters, Thermocouple Wire, RTD Probes

• Flow and Level

Air Velocity Indicators, Doppler Flowmeters, Level Measurement, Magnetic Flowmeters, Mass Flowmeters, Pitot Tubes, Pumps, Rotameters, Turbine and Paddle Wheel Flowmeters, Ultrasonic Flowmeters, Valves, Variable Area Flowmeters, Vortex Shedding Flowmeters

• pH and Conductivity

Conductivity Instrumentation, Dissolved Oxygen Instrumentation, Environmental Instrumentation, pH Electrodes and Instruments, Water and Soil Analysis Instrumentation

• Data Acquisition

Communication Products and Converters, Data Acquisition and Analysis Software, Data Loggers Plug-in Cards, Signal Conditioners, USB, RS232, RS485, Ethernet and Parallel Port Data Acquisition Systems, Wireless Transmitters and Receivers

• Pressure, Strain and Force

Displacement Transducers, Dynamic Measurement Force Sensors, Instrumentation for Pressure and Strain Measurements, Load Cells, Pressure Gauges, Pressure Reference Section, Pressure Switches, Pressure Transducers, Proximity Transducers, Regulators, Pressure Transmitters, Strain Gauges, Torque Transducers, Valves

• Heaters

Band Heaters, Cartridge Heaters, Circulation Heaters, Comfort Heaters, Controllers, Meters and Switching Devices, Flexible Heaters, General Test and Measurement Instruments, Heater Hook-up Wire, Heating Cable Systems, Immersion Heaters, Process Air and Duct, Heaters, Radiant Heaters, Strip Heaters, Tubular Heaters