

3- AND 4-WAY SOLENOID VALVES

Direct-Acting or Pilot-Operated, Normally Open or Closed, Brass Valve Body

SV240/250/260/270 Series
Starts at

\$145



- ✓ General Purpose, Quick Exhaust, and Selectable NO/NC Models
- ✓ Rugged NEMA 4 (IP65) Housing
- ✓ Mounts in Any Position
- ✓ Rated for Continuous Duty

Typical Applications

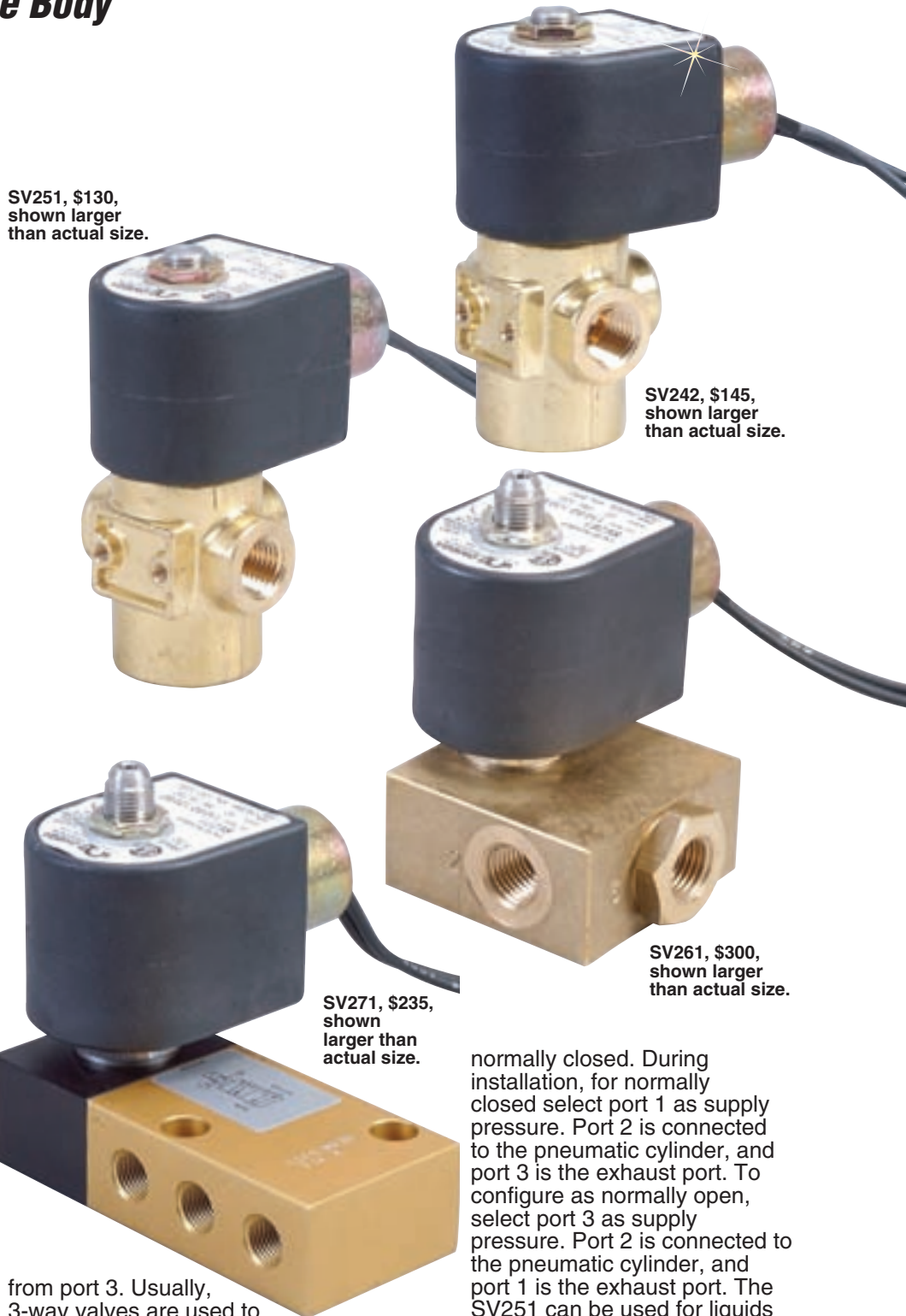
- ✓ Mobile Equipment
- ✓ Gas Sampling
- ✓ Compressors
- ✓ Ball Valve Actuators
- ✓ Cylinders
- ✓ Dispensing
- ✓ Laundry Equipment
- ✓ Machine Tool Equipment

The SV241, SV242, and SV261 Series valves are 3-way, direct-acting, and normally closed. The SV241 and SV242 can be used for liquids or gases, while the SV261 offers a quick-exhaust feature and is limited to air use. The most common application for these 3-way valves is the control of single-acting cylinders or spring-return actuators. The pressure inlet port is blocked in the de-energized position.

A 3-way normally closed valve has 3 ports labeled 1, 2, and 3. When de-energized, no flow occurs from port 1, but there is flow from port 2 to 3. When energized, flow occurs from port 1 to 2, but no flow occurs

from port 3. Usually, 3-way valves are used to control larger pneumatically activated valves. Port 1 is connected to the pressure source, port 2 is connected to the cylinder controlling the pneumatic activation, and port 3 is the exhaust port vented to the room.

The SV251 is a multipurpose 3-way valve and can be used as normally open or



SV251, \$130, shown larger than actual size.

SV242, \$145, shown larger than actual size.

SV261, \$300, shown larger than actual size.

SV271, \$235, shown larger than actual size.

normally closed. During installation, for normally closed select port 1 as supply pressure. Port 2 is connected to the pneumatic cylinder, and port 3 is the exhaust port. To configure as normally open, select port 3 as supply pressure. Port 2 is connected to the pneumatic cylinder, and port 1 is the exhaust port. The SV251 can be used for liquids or gases.

The SV271 is a 4-way, 5-ported solenoid valve, rated for air applications only. It is a 2-position, pilot-operated valve typically used to control double-acting cylinders or pneumatic actuators. A 4-way valve has

ports labeled 1, 2, 3, 4, and 5. When de-energized, pressure is supplied to port 1, which is open to cylinder port 4 and closed to cylinder port 2. Port 4 is closed to exhaust port 3. When energized, pressure port 1 is closed to cylinder port 4 and open to cylinder port 2. Cylinder port 2 is closed to exhaust port 3. Cylinder port 4 is open to exhaust port 5.

SPECIFICATIONS

Operation:

SV241, SV242 and SV251:

Direct acting

SV261, SV271: Pilot operated

Wetted Parts: Brass, stainless steel, copper and seal material

SV241: Also Delrin

SV271: Aluminum, Delrin, stainless steel, copper and seal material

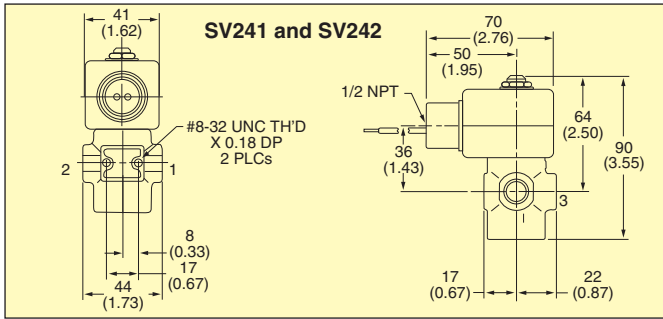
Medium: Liquid or gases as specified in "To Order" chart

Max Static Pressure: 5 times max psid

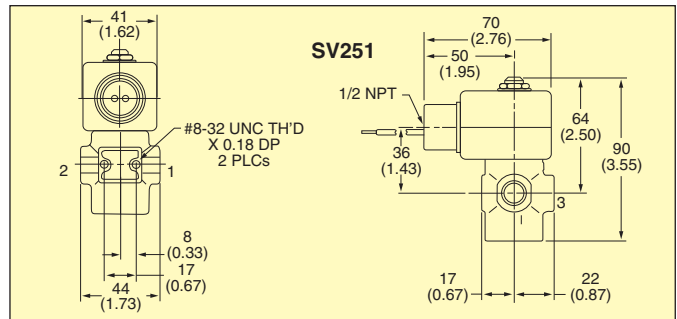
Ambient Temp: -9 to 50°C (15 to 122°F)

Mounting: Pipe mounting, any direction

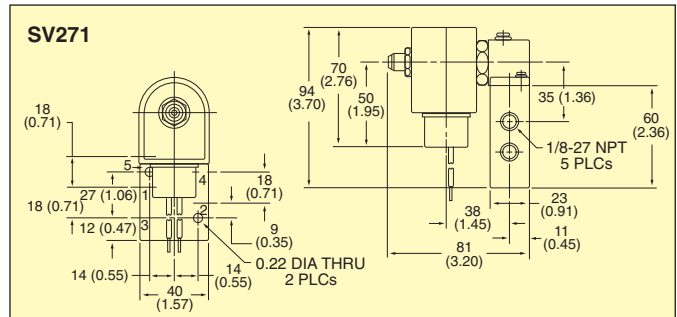
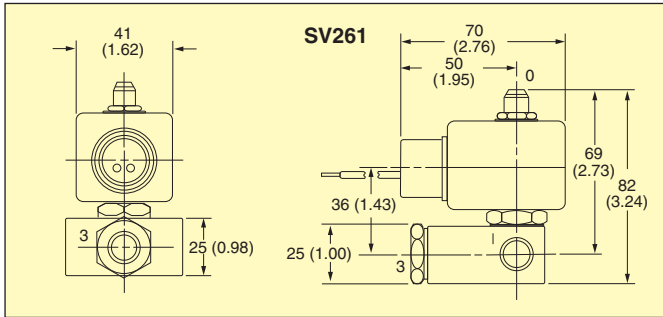
Power: 10 W, 120 Vac coils, 50 to 60 Hz



Dimensions: mm (in)



Dimensions: mm (in)



MOST POPULAR MODELS HIGHLIGHTED!

To Order (Specify Model Number)

Model No.	Price	NPT Fitting	Orifice	C _v	Seal	DIFF PRES (psid)		Max Temp °C (°F)	Response Time	
						MIN	MAX		Open	Close
3-Way General Purpose, Direct Acting, Normally Closed, Brass Body										
SV241	\$145	1/4	5/64, 1/8	0.17, 0.31	FKM	0	150	116 (240)	10 ms	10 ms
SV242	145	1/4	3/32, 9/64	0.24, 0.38	FKM	0	100	116 (240)	10 ms	10 ms
3-Way Selectable Service, Direct Acting, User-Selectable NO or NC, Brass Body										
SV251	\$145	1/4	5/64, 5/64	0.17, 0.17	FKM	0	100	116 (240)	10 ms	10 ms
3-Way Quick Exhaust, Pilot Operated, Normally Closed, Brass Body, Air Only										
SV261	\$300	1/4	3/32, 1/4	0.20, 1.1	Buna-N	2	100	85 (185)	15 ms	45 ms
4-Way General Purpose, Pilot Operated, Normally Closed, Aluminum Body, Air Only										
SV271	\$235	1/8	5/32	0.35	Buna-N	15	150	74 (165)	10 to 30 ms	10 to 30 ms

Accessories

Model No.	Price	Description
SVCOIL-110AC	\$45	Replacement coil, 110 Vac
SVCOIL-220AC	50	Replacement coil, 220 Vac
SVCOIL-24VDC	50	Replacement coil, 24 Vdc
EE-1603	260	Reference Book: Intelligent Robotic Systems

Comes complete with 10 W coil and operator's manual.

Note: Some solenoid valves are available with 24 Vdc coils. Five piece minimum order. UL approval is not available with 24 Vdc coils.

Specifications effected; pressure rating may decrease; coil wattage ratings may increase. Consult Engineering.

Ordering Examples: SV251, 3-way direct-acting valve, user-selectable NO/NC brass body and 5/64" orifice with FKM seals, \$145.

SV271, 4-way general purpose pilot operated valve, NC with aluminum body, for air only, \$235.

omega.co.uk[®]

Your One-Stop Source for Process Measurement and Control!

Freephone 0800 488 488 | International +44(0) 161 777 6622 | Fax +44(0) 161 777 6622 | Sales@omega.co.uk

www.omega.co.uk



UNITED STATES

www.omega.com

1-800-TC-OMEGA
Stamford, CT.

CANADA

www.omega.ca

Laval(Quebec)
1-800-TC-OMEGA

GERMANY

www.omega.de

Deckenfronn, Germany
0800-8266342

UNITED KINGDOM

www.omega.co.uk

Manchester, England
0800-488-488
+44-(0)161-777-6611

FRANCE

www.omega.fr

0800-466-342

BENELUX

www.omega.nl

0800-099-33-44



More than 100,000 Products Available!

• Temperature

Calibrators, Connectors, General Test and Measurement Instruments, Handheld Instruments for Temperature Measurement, Ice Point References, Indicating Labels, Crayons, Cements and Lacquers, Infrared Temperature Measurement Instruments, Recorders, Relative Humidity Measurement Instruments, PT100 Probes, PT100 Elements, Temperature & Process Meters, Timers and Counters, Temperature and Process Controllers and Power Switching Devices, Thermistor Elements, Probes and Assemblies, Thermocouples, Thermowells and Head and Well Assemblies, Transmitters, Thermocouple Wire, RTD Probes

• Flow and Level

Air Velocity Indicators, Doppler Flowmeters, Level Measurement, Magnetic Flowmeters, Mass Flowmeters, Pitot Tubes, Pumps, Rotameters, Turbine and Paddle Wheel Flowmeters, Ultrasonic Flowmeters, Valves, Variable Area Flowmeters, Vortex Shedding Flowmeters

• pH and Conductivity

Conductivity Instrumentation, Dissolved Oxygen Instrumentation, Environmental Instrumentation, pH Electrodes and Instruments, Water and Soil Analysis Instrumentation

• Data Acquisition

Communication Products and Converters, Data Acquisition and Analysis Software, Data Loggers Plug-in Cards, Signal Conditioners, USB, RS232, RS485, Ethernet and Parallel Port Data Acquisition Systems, Wireless Transmitters and Receivers

• Pressure, Strain and Force

Displacement Transducers, Dynamic Measurement Force Sensors, Instrumentation for Pressure and Strain Measurements, Load Cells, Pressure Gauges, Pressure Reference Section, Pressure Switches, Pressure Transducers, Proximity Transducers, Regulators, Pressure Transmitters, Strain Gauges, Torque Transducers, Valves

• Heaters

Band Heaters, Cartridge Heaters, Circulation Heaters, Comfort Heaters, Controllers, Meters and Switching Devices, Flexible Heaters, General Test and Measurement Instruments, Heater Hook-up Wire, Heating Cable Systems, Immersion Heaters, Process Air and Duct, Heaters, Radiant Heaters, Strip Heaters, Tubular Heaters