



Mounting Brackets For 1/16 or 1/32 DIN Instruments

CN9-16-MB

\$20



- ✓ Quickly and Easily DIN Rail Mount Instruments
- ✓ Quickly and Easily Wall Mount Instruments
- ✓ 1/16 and 1/32 DIN Sizes
- ✓ For Units Up to 120 mm (4.7") Depth

The CN9-16MB and CN9-32MB mounting brackets allows quick and easy mounting of standard DIN panel instruments on either a DIN rail or to the wall. Mounting brackets are offered for both 1/16 DIN and 1/32 DIN panel instruments that have less than 120 mm (4.7") depth, including connectors and wires, behind the front bezel.



CN9-16-MB, \$20, shown smaller than actual size, with CN77333, \$229 (see page P-37) and CNi3222, \$195 (see page P-19).

Specifications

CN9-16-MB Cutout Dimensions:

45 x 45 mm (1.77 x 1.77")

CN9-32-MB Cutout Dimensions:

22 x 45 mm (0.866 x 1.77")

Max Instrument Depth: 120 mm (4.7")

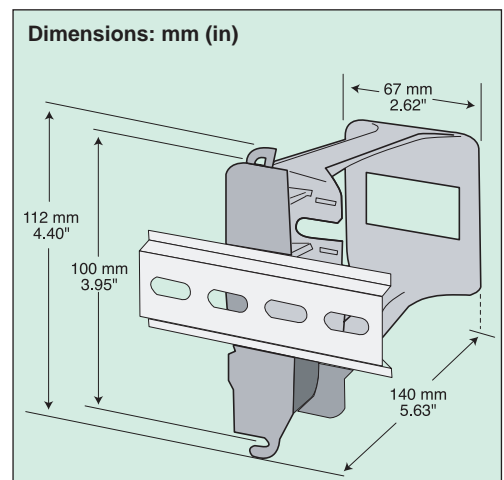
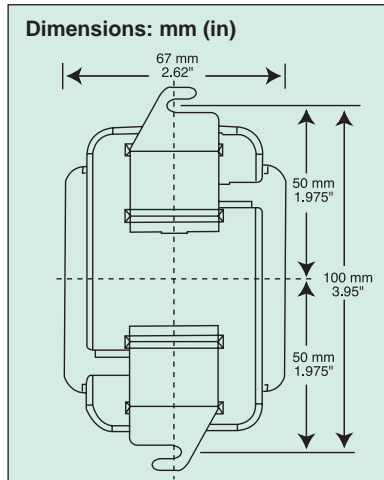
Wall Mounting Holes: 100 mm (3.95") c-c, top and bottom

DIN Mount: Attaches to standard DIN rail

Material: Plastic, fire-retardant polycarbonate, GE Lexan 940

Dimensions: 112 H x 67 W x 140 mm D (4.4 x 2.62 x 5.63")

Weight: 50 g (2 oz)



AVAILABLE FOR FAST DELIVERY!

To Order (Specify Model Number)

Model No.	Price	Description
CN9-16-MB	\$20	Mounting bracket for 1/16 DIN instrument
CN9-32-MB	20	Mounting bracket for 1/32 DIN instrument
PE-1407	72	Reference Handbook: Control System Documentation: Applying Symbols and Identification

Ordering Example: CN-9-16-MB, Mounting bracket for 1/16 DIN instrument, \$20.

omega.co.uk[®]

Your One-Stop Source for Process Measurement and Control!

Freephone 0800 488 488 | International +44(0) 161 777 6622 | Fax +44(0) 161 777 6622 | Sales@omega.co.uk

www.omega.co.uk



UNITED STATES

www.omega.com

1-800-TC-OMEGA
Stamford, CT.

UNITED KINGDOM

www.omega.co.uk

Manchester, England
0800-488-488
+44-(0)161-777-6611

CANADA

www.omega.ca

Laval(Quebec)
1-800-TC-OMEGA

FRANCE

www.omega.fr

0800-466-342

GERMANY

www.omega.de

Deckenfronn, Germany
0800-8266342

BENELUX

www.omega.nl

0800-099-33-44



More than 100,000 Products Available!

• Temperature

Calibrators, Connectors, General Test and Measurement Instruments, Handheld Instruments for Temperature Measurement, Ice Point References, Indicating Labels, Crayons, Cements and Lacquers, Infrared Temperature Measurement Instruments, Recorders, Relative Humidity Measurement Instruments, PT100 Probes, PT100 Elements, Temperature & Process Meters, Timers and Counters, Temperature and Process Controllers and Power Switching Devices, Thermistor Elements, Probes and Assemblies, Thermocouples, Thermowells and Head and Well Assemblies, Transmitters, Thermocouple Wire, RTD Probes

• Flow and Level

Air Velocity Indicators, Doppler Flowmeters, Level Measurement, Magnetic Flowmeters, Mass Flowmeters, Pitot Tubes, Pumps, Rotameters, Turbine and Paddle Wheel Flowmeters, Ultrasonic Flowmeters, Valves, Variable Area Flowmeters, Vortex Shedding Flowmeters

• pH and Conductivity

Conductivity Instrumentation, Dissolved Oxygen Instrumentation, Environmental Instrumentation, pH Electrodes and Instruments, Water and Soil Analysis Instrumentation

• Data Acquisition

Communication Products and Converters, Data Acquisition and Analysis Software, Data Loggers Plug-in Cards, Signal Conditioners, USB, RS232, RS485, Ethernet and Parallel Port Data Acquisition Systems, Wireless Transmitters and Receivers

• Pressure, Strain and Force

Displacement Transducers, Dynamic Measurement Force Sensors, Instrumentation for Pressure and Strain Measurements, Load Cells, Pressure Gauges, Pressure Reference Section, Pressure Switches, Pressure Transducers, Proximity Transducers, Regulators, Pressure Transmitters, Strain Gauges, Torque Transducers, Valves

• Heaters

Band Heaters, Cartridge Heaters, Circulation Heaters, Comfort Heaters, Controllers, Meters and Switching Devices, Flexible Heaters, General Test and Measurement Instruments, Heater Hook-up Wire, Heating Cable Systems, Immersion Heaters, Process Air and Duct, Heaters, Radiant Heaters, Strip Heaters, Tubular Heaters