

Panel Jacks For **Standard** Size Connectors Colour-Coded; Glass-Filled Nylon Rated to 220°C (425°F)

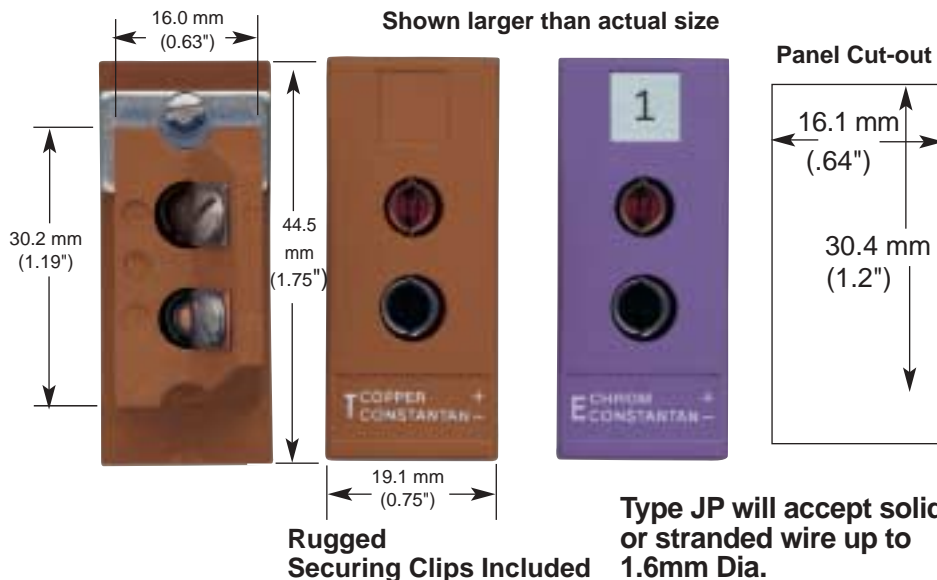
Heavy Duty!

- ✓ Easy Installation
- ✓ Flexibility
- ✓ ID Labels Included for Identification
- ✓ Decorative—Enhances Any Instrument

Alloys of the inserts match IEC thermocouple grade calibrations.

FREE ID Number Labels and Dust Cap Supplied with Each Jack

OMEGA's panel jacks contain two female, collet-type, spring-loaded connectors that will accept any standard male thermocouple connector. The panel jacks are moulded of high-impact, glass-filled nylon and are numbered and labeled as well as colour-coded.



Rugged Securing Clips Included

Type JP will accept solid or stranded wire up to 1.6mm Dia.

To Order (Specify Model Number)				Off-The-Shelf Delivery		
Alloy Code [†]	Type of Thermocouple Used With Connector	Compensating Alloy Used in Connector		Shell Colour	Model Number (Female)	Price of Jack
		+	-			
K	CHROMEGLA™-ALOMEGA™	CHROMEGLA™	ALOMEGA™	Green	IEC-JP-K-F	£3.70
T	Copper-Constantan	Copper	Constantan	Brown	IEC-JP-T-F	3.70
J	Iron-Constantan	Iron	Constantan	Black	IEC-JP-J-F	3.70
E	CHROMEGLA™-Constantan	CHROMEGLA™	Constantan	Violet	IEC-JP-E-F	3.70
R/S	Pt-Pt/13%Rh	Copper	Alloy #11	Orange	IEC-JP-R/S-F	3.70
G	W-W/26%Re	Alloy #200	Alloy #226	Red	IEC-JP-G-F	9.00
C	W/5%Re-W/26%Re	Alloy #405	Alloy #426	Red	IEC-JP-C-F	9.00
D	W/3%Re-W/25%Re	Alloy #203	Alloy #225	Red	IEC-JP-D-F	9.00
U	Uncompensated	Copper	Copper	White	IEC-JP-U-F	3.70

[†]K, T, J, E, R, S are IEC designations.

NOTE: Type U (uncompensated) connectors are used with type B thermocouples (Platinum/6% Rhodium-Platinum/30% Rhodium).

Extra Mounting Clips Available.

Model MH-JP-1, £0.60 ea.

Model MH-JP-5, £2.50/pkg. of 5

Extra ID Number Labels:

Model 1-6L, £1.05 for 1 thru 6

Model 1-12L, £1.25 for 1 thru 12

Model 1-18L, £1.45 for 1 thru 18

Model 1-24L, £1.65 for 1 thru 24

Model 1-50L, £2.10 for 1 thru 50

Model 1-100L, £2.50 for 1 thru 100

Discount Schedule	
1-10.....	Net
11-24.....	10%
25-49.....	15%
50-99.....	20%
100-999.....	25%
1000 and up.....	Consult Sales



25 mm (1.0") Depth

Extra Supply of Our Patented Design Dust Caps SPJ-CAP £4.90/pkg of 12

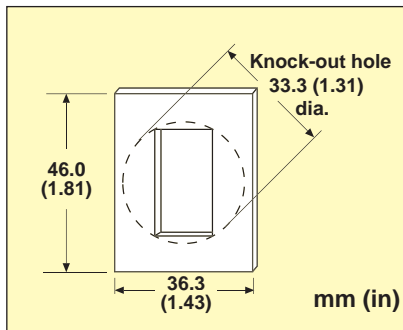


Panel Mounting Adaptor Plates

...for mounting a single panel jack in a round knock-out hole

Model No. RJACL

£1.65 each



Mounting plate used with OMEGA® type JP decorator styled, colour-coded panel jacks adapts them for mounting as single-circuit jack in control panel or instrument case. Simplifies mounting, and holds the connector in place tightly. Covers 33.3 mm (1.31") diameter knock-out hole. All adaptor plates are made of 0.76 mm (0.030") nickel-plated steel. Price includes all screws and mounting hardware.